



**HYDROMATIC<sup>®</sup>**  
**MODEL HPG(X)200**  
**SUBMERSIBLE SEWAGE**  
**GRINDER PUMP**

**ALSO AVAILABLE FOR HAZARDOUS LOCATION**



# HYDROMATIC® MODEL HPG(X)200

## Submersible Sewage Grinder Pump

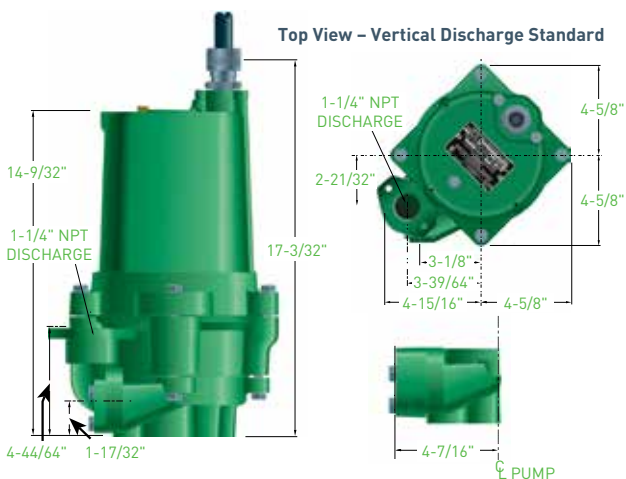
HPG200 Pumps Characteristics	
Pump / Motor Unit	Submersible-Grinder
Phase	1 Ø 3 Ø
Horsepower	2 2
200V FLA	19.9 9.5
230V FLA	15.6 8.3
460V FLA	N/A 4.6
575V FLA	N/A 3.3
Service Factor	1.2
Motor Type	Oil Cooled Induction Capacitor Start
RPM	3450
Temp. Stator	Maximum Design 266 °F (130 °C)
Operation	Intermittent
Coolant Oil	Oil Flash Pt. 390 °F
Hertz	60 Hz
Thermal Overload	Bimetallic
Temperature	Maximum Water 140 °F
NEMA Design	Type L (1 Ø) Type B (3 Ø)
Insulation	Class F
Discharge Size	1-1/4" NPT
Unit Weight	82 lbs.
Power Cord	Type S00W / S00W-A, Water Resistant, 600V, 60°C, CSA / UL approved

HPGX200 Pumps Characteristics	
Pump / Motor Unit	Submersible-Grinder
Phase	1 Ø 3 Ø
Horsepower	2 2
208V FLA	16.1 8.2
230V FLA	15.6 7.7
460V FLA	N/A 3.9
575V FLA	N/A 2.9
Motor Type	Oil Cooled Induction
RPM	3450
Temperature	140 °F Ambient
Operation	Intermittent
Hertz	60 Hz
Thermal Overload	Bimetallic
Temperature	Maximum Water 140 °F
NEMA Design	Type L (1 Ø) Type B (3 Ø)
Insulation	Class F
Discharge Size	1-1/4" NPT
Unit Weight	105 lbs.
Power Cord	S00W, W

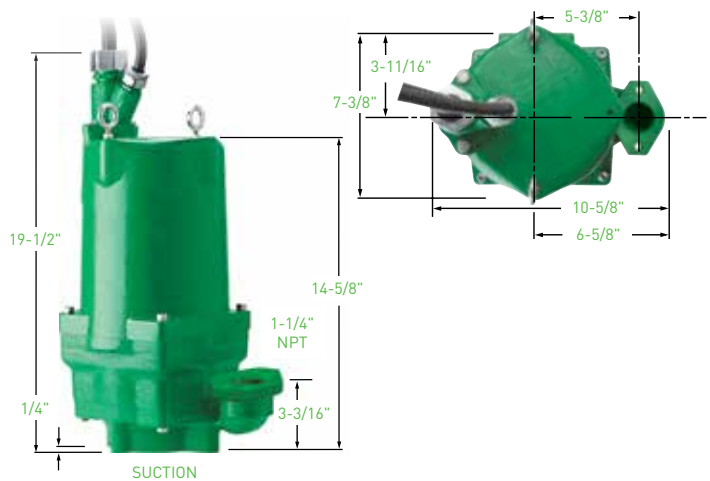
HPG200 Materials of Construction	
Description	Material of Construction
Motor Housing	Cast Iron ASTM-48
Pump Casing	Cast Iron ASTM-48
Coolant / Lubricant	Dielectric Oil
Shaft	416 Stainless Steel
Mechanical Shaft Seal	Dual: Carbon / Ceramic Type 21 BF1C1
Impeller	Valox® (Bronze also available)
Cutters	440C Hardened 55-60 Rockwell C
Upper Bearing	Ball Radial 6203
Lower Bearing	Ball Thrust 6306
Fasteners	316 Stainless Steel

HPGX200 Materials of Construction	
Description	Material of Construction
Motor Housing	Class 30
Pump Casing	Class 30
Coolant / Lubricant	Dielectric Oil
Shaft	416 Stainless Steel
Mechanical Shaft Seal	Seal Faces: Carbon / Ceramic, Seal Body: Stainless Steel, Spring: Stainless Steel, Bellows: Buna-N
Impeller	Semiopen 5-Vane Brass
Cutters	440C Hardened 55-60 Rockwell C
Upper Bearing	(Radial) Single Row-Ball
Lower Bearing	(Thrust) Single Row-Ball and Sleeve
Fasteners	Stainless Steel

### HPG200 Dimensional Data

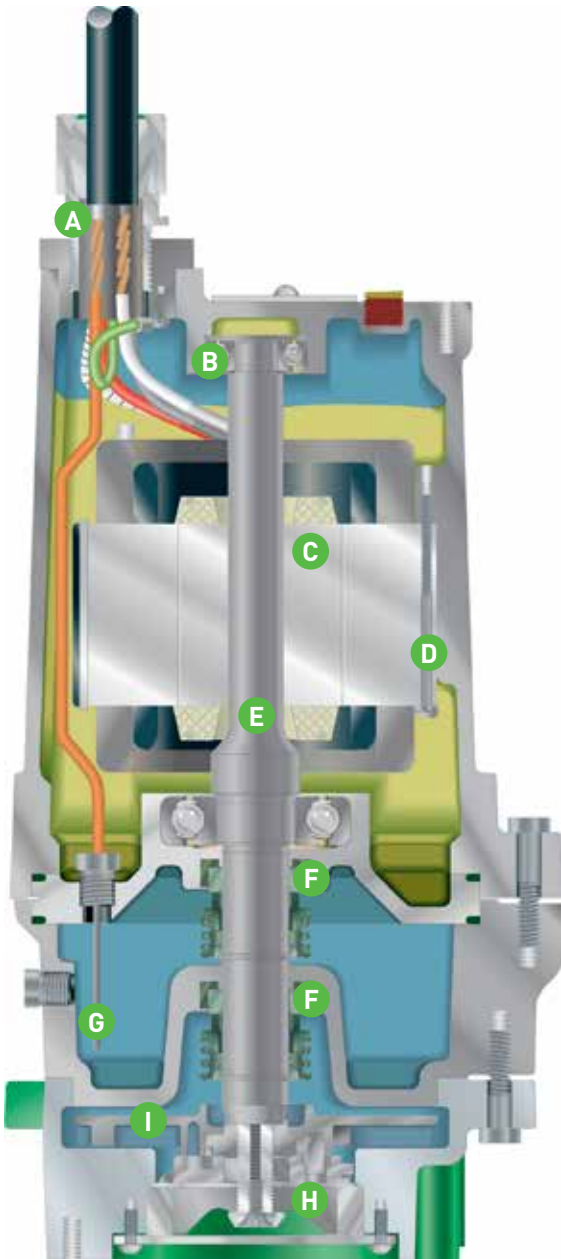


### HPGX200 Dimensional Data



All dimensions in inches. Metric for international use. Component dimensions may vary ± 1/8 inch. Dimensional data not for construction purpose unless certified. Dimensions and weights are approximate. On/Off level adjustable. We reserve the right to make revisions to our product and their specifications without notice.

# HPG200 Pump Features



## Applications:

Commercial, Residential, Resort Area

### A. Two Barrier Seals

One epoxy barrier and one compression fitting for maximum protection against wicking and water seepage into the motor housing.

### B. Bearings

The heavy-duty ball bearings, upper (radial) and lower (thrust), are continuously lubricated by oil to ensure long service life.

### C. Motor

Electrical design combines the advantages of high torque output with optimum running efficiency engineered specifically for grinder operation.

### D. Stator Bolts

The stator is secured to the motor housing by means of stator bolts which ensure ease of maintenance if the need ever arises.

### E. Shaft

Standard stainless steel shaft in grinder pump.

### F. Dual Seals

Dual seals for maximum moisture protection.

### G. Moisture Probe

Moisture detection probe.

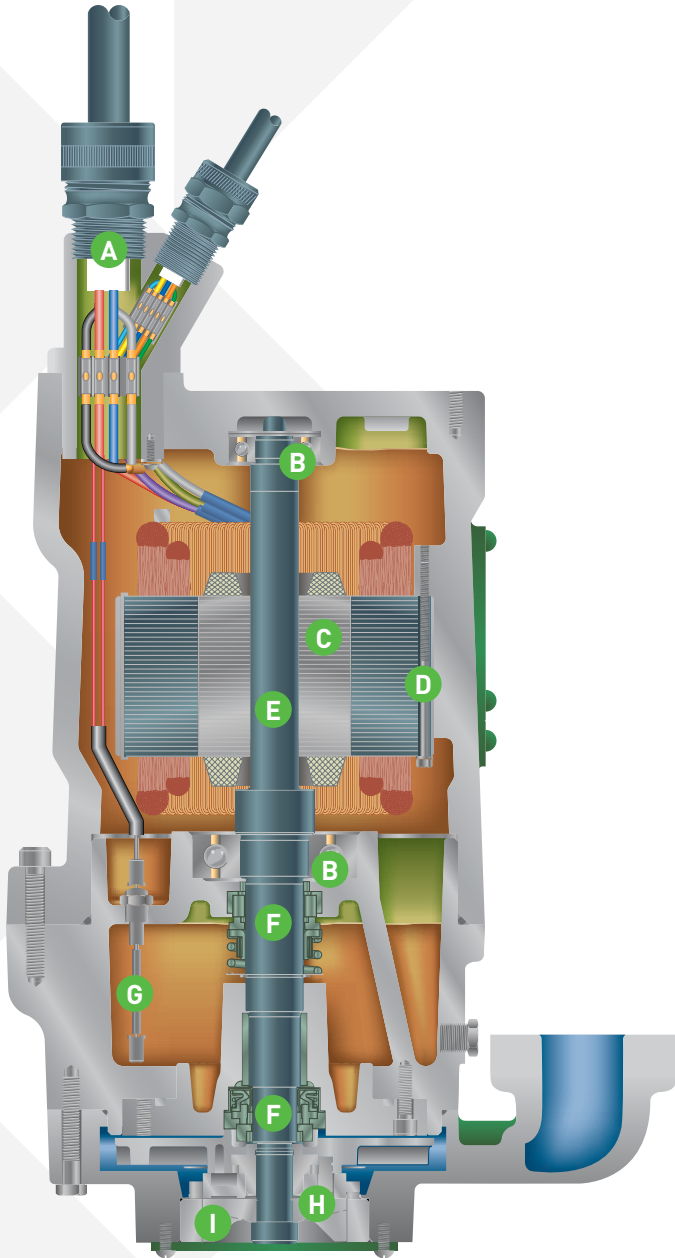
### H. Cutters

Exclusive "Dual Cutter" design cuts solids to smallest particle size thereby greatly reducing clogging, roping, or binding.

### I. Impeller

Engineered non-metallic semi-open impeller molded to a bronze insert for greatest torque driving capabilities. Impeller made of high strength Valox® which provides highest level of corrosion resistance and maximum toughness from impact for a wide variety of slurry pumpage. Pump-out vanes preclude material build-up around shaft and seal. Bronze impeller available.

# HPGX200 Pump Features



## A. Two Barrier Seals

One epoxy barrier and one compression fitting for maximum protection against wicking and water seepage into the motor housing.

## B. Three Bearings System

The heavy-duty ball bearings, upper (radial) and lower (thrust), are continuously lubricated by oil to ensure long service life, along with a lower sleeve bearing.

## C. Motor

Electrical design combines the advantages of high torque output with optimum running efficiency engineered specifically for grinder operation.

## D. Stator Bolts

The stator is secured to the motor housing by means of stator bolts which ensure ease of maintenance if the need ever arises.

## E. Shaft

Standard stainless steel shaft in grinder pump.

## F. Dual Seals

Dual seals for maximum moisture protection.

## G. Two Moisture Probes

Moisture detection probe located in seal chamber.

## H. Cutters

Exclusive "Dual Cutter" design cuts solids to smallest particle size thereby greatly reducing clogging, roping, or binding.

## I. Impeller

The multivane, semiopen impeller is cast bronze and noncorrosive to provide long life.

## Applications:

Municipal, Commercial, Residential, Resort Area



740 EAST 9TH STREET,  
ASHLAND, OHIO 44805  
WWW.HYDROMATIC.COM

269 TRILLIUM DRIVE, KITCHENER,  
ONTARIO, CANADA N2G 4W5  
WWW.HYDROMATIC.COM

Valox® is a registered trademark of the General Electric Company.  
Hydromatic® is a registered trademark of Pentair Ltd.

Because we are continuously improving our products and services, Pentair reserves the right to change specifications without prior notice.  
E-02-7120 08/12/13 © 2013 Pentair Ltd. All Rights Reserved.