



# WELL-X-TROL®

Diaphragm Well Tanks: WX-400 Series Non-ASME

**150 PSIG Working Pressure**

## Construction

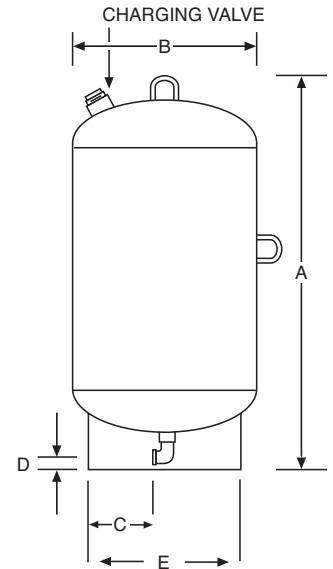
Shell	Steel
Diaphragm	Heavy Duty Butyl
Liner	Antimicrobial Polypropylene w/ Anti-Legionella Protection
System Connection	Malleable Iron (NPTF)
Finish	Red Oxide Primer
Water Circulator	Turbulator™
Air Valve	Schrader Valve w/EPDM Seat
Factory Precharge	25 PSIG (1.7 bar)

## Performance

Maximum Operating Temperature	200°F (93°C)
Maximum Working Pressure	150 PSIG (10.3 bar)
Warranty	1-Year

## Application

- For use in commercial well water and booster pump systems.
- Fixed diaphragm construction.
- Tested to JIS Z 2801 for reduction of Legionella, Staphylococcus and E. coli.
- Follows ASHRAE 188 Anti-Legionella guidelines.
- Sight glass and seismic restraint options available.



## Non-ASME Models

Model Number	Tank Volume		Max. Accept. Volume		A Tank Height		B Tank Diameter		C Sys. Conn. Inset		D Sys. Conn. Centerline		E Stand Diameter		System Conn. (NPTF)	Shipping Weight	
	Gal	Lit	Gal	Lit	In	mm	In	mm	In	mm	In	mm	In	mm		Lbs	Kg
WX-401	18	68	11	42	31	787	16	406	5	124	1½	38	12¾	324	1	96	44
WX-402	25	95	11	42	40	1016	16	406	5	124	1½	38	12¾	324	1	113	51
WX-403	34	129	11	42	49	1245	16	406	5	124	1½	38	12¾	324	1	120	54
WX-404	68	258	34	129	48	1219	24	610	6	159	1⅝	41	16	406	1¼	232	105
WX-405	90	341	34	129	59	1499	24	610	6	159	1⅝	41	16	406	1¼	255	116
WX-406	110	417	34	129	70	1778	24	610	6	159	1⅝	41	16	406	1¼	335	152
WX-407	132	500	46	175	57	1448	30	762	10	254	1¾	44	24	610	1¼	450	204

All dimensions and weights are approximate.

**188**

Anti-Legionella.



Job Name _____	Notes _____
Engineer _____	_____
Contractor _____	_____
P.O. No. _____	_____
Sales Rep. _____	_____
Model No. _____	_____