



WELL-X-TROL®

Diaphragm Well Tanks: WX-400C Series ASME

125 PSIG Working Pressure

Construction

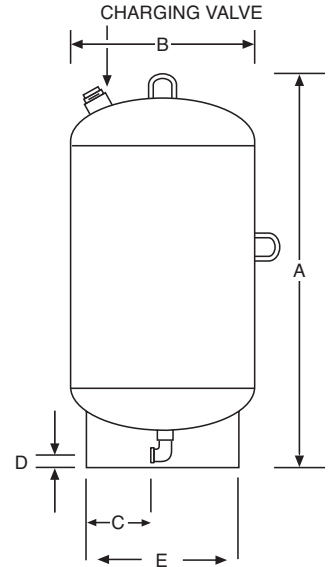
Shell	ASME Approved Steel
Diaphragm	Heavy Duty Buty
Liner	Antimicrobial Polypropylene w/ Anti-Legionella Protection
System Connection	Malleable Iron (NPTF)
Finish	Red Oxide Primer
Water Circulator	Turbulator™
Air Valve	Schrader Valve w/EPDM Seat
Factory Precharge	25 PSIG (1.7 bar)

Performance

Maximum Operating Temperature	200°F (93°C)
Maximum Working Pressure	125 PSIG (8.6 bar)
Warranty	1-Year

Application

- For use in commercial well water and booster pump systems.
- Fixed diaphragm construction.
- Designed and constructed per ASME Code Section VIII, Division 1.
- Tested to JIS Z 2801 for reduction of Legionella, Staphylococcus and E. coli.
- Follows ASHRAE 188 Anti-Legionella guidelines.
- Sight glass and seismic restraint options available.



ASME Models

Model Number	Tank Volume		Max. Accept. Volume		A Tank Height		B Tank Diameter		C Sys. Conn. Inset		D Sys. Conn. Centerline		E Stand Diameter		System Conn. (NPTF)	Shipping Weight	
	Gal	Lit	Gal	Lit	In	mm	In	mm	In	mm	In	mm	In	mm		In	Lbs
WX-401C	18	68	11	42	31	787	16	406	5	124	1½	38	12¾	324	1	77	35
WX-402C	25	95	11	42	40	1016	16	406	5	124	1½	38	12¾	324	1	93	42
WX-403C	34	129	11	42	49	1245	16	406	5	124	1½	38	12¾	324	1	115	52
WX-404C	68	258	34	129	48	1219	24	610	6	159	1¾	41	16	406	1¼	227	103
WX-405C	90	341	34	129	59	1499	24	610	6	159	1¾	41	16	406	1¼	252	114
WX-406C	110	417	34	129	70	1778	24	610	6	159	1¾	41	16	406	1¼	286	130
WX-407C	132	500	46	175	57	1448	30	762	10	254	1¾	44	24	610	1¼	436	198

All dimensions and weights are approximate.

Job Name _____	Notes _____
Engineer _____	_____
Contractor _____	_____
P.O. No. _____	_____
Sales Rep. _____	_____
Model No. _____	_____

188

AntiLegionella.

