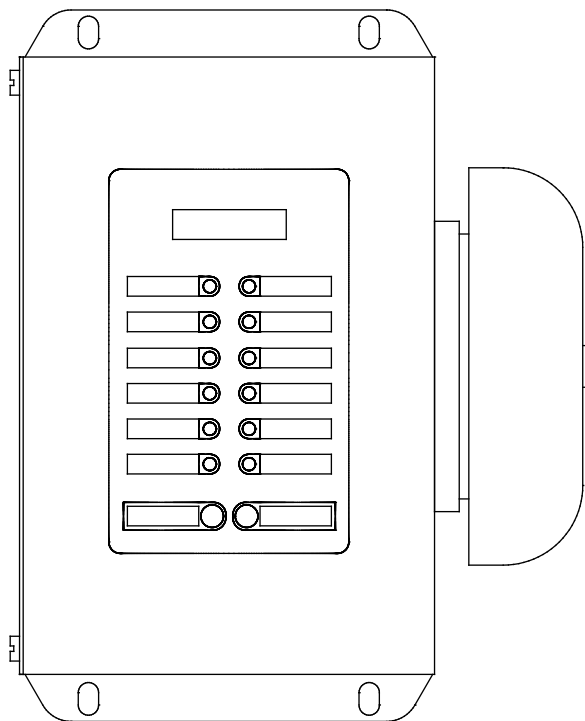


Remote Alarm Panels For Use With Electric Fire Pump Controllers

Project Information



(DRAWINGS INCLUDED IN THIS PACKAGE ARE FOR STANDARD CONTROLLERS. ACTUAL "AS BUILT" DRAWINGS MAY DIFFER FROM THOSE SEEN HERE).

Firetrol, Inc.

3412 Apex Peakway
Apex, North Carolina 27502
P 919 460 5200
F 919 460 5250
www.firetrol.com

While every precaution has been taken to ensure accuracy and completeness herein, Firetrol, Inc. assumes no responsibility, and disclaims all liability, for damages resulting from use of this information or for any errors or omissions. Specifications and drawings are subject to change without notice. ©2019 Firetrol, Inc., All Rights Reserved.

Firetrol Remote Alarm Panels for Use With Diesel Engine and Electric Fire Pump Controllers

FTA200-A, 200-AA, 200-F, 200-FF & 200-AF
Specifications

1.0 Alarm Panel

The main fire pump controller shall be a factory assembled, wired and tested unit.

1.1 Standards, Listings & Approvals

The controller shall conform to all the requirements of the latest editions of:
NFPA 20, *Standard for the Installation of Stationary Pumps for Fire Protection*
NFPA 70, *National Electrical Code*.
Factory Mutual (FM)

The controller shall be listed by:
Underwriters Laboratories, Inc., in accordance with UL508, *Standard for Industrial Controls*
Canadian Standards Association CSA-C22.2, *Standard for Industrial Control Equipment* (cUL)

1.2 Enclosure

The controller components shall be housed in a NEMA Type 1 (IEC IP20) drip-proof, wall mounted enclosure with bottom entry gland plate.

1.3 Operation

The alarm panel shall have individual LED lights to indicate its alarm condition which shall remain lighted until the alarm condition has been corrected. The alarm panel shall also have an audible alarm which will sound when the alarm conditions occur and may be silenced by pressing a SILENCE ALARM push-button.

Each alarm initiation shall be subsequent to any and all previous alarm conditions so that the silence push-button acknowledgment of any one alarm will not prevent the audible alarm from sounding on successive alarm conditions.

The alarm panel shall have a PUSH-TO-TEST push-button for manually testing all LED lights, audible alarms and output circuits. All alarm LED's and push-buttons shall be plainly marked for identification.

1.4 Manufacturer

The alarm panel shall be a Firetrol model FTA200-A for use with electric fire pump controllers, FTA200-AA for use with 2 electric fire pump controllers or model FTA200-F for use with diesel engine fire pump controllers, FTA200-FF for use with 2 diesel engine fire pump controllers or a FTA200-AF for use with 1 electric fire pump controller and 1 diesel engine fire pump controller.

3412 Apex Peakway
Apex, North Carolina 27502
P +1 919 460 5200
F +1 919 460 5250
www.firetrol.com

While every precaution has been taken to ensure accuracy and completeness herein, Firetrol, Inc. assumes no responsibility, and disclaims all liability, for damages resulting from use of this information or for any errors or omissions. Specifications and drawings are subject to change without notice. ©2019 Firetrol, Inc., All Rights Reserved.

Firetrol, Inc.

 Remote Alarm Panels for use with Electric Fire Pump Controllers



Description—Firetrol® FTA200 alarm panels are designed to meet the NFPA 20 specifications requiring a remote alarm panel when the pump house or pump room is not constantly attended. The alarm panel must be installed in a location that is under supervision at all times.

Approvals —These alarm panels are listed by Underwriter’s Laboratories, Inc., in accordance with UL508, *Standard for Industrial Controls*, certified by CSA, *Standard for Industrial Control Equipment (cUL)* and approved by Factory Mutual. They are designed to meet or exceed the requirements of the approving authorities listed above as well as NFPA 20, *Installation of Centrifugal Fire Pumps*.

Standard Features—The following are included as standard with each controller:

Type A - Type A panels provide audible and visible alarm indication for the following conditions:

- Supervisory Power On
- Power / Phase Failure
- Phase Reversal
- Pump Room Alarm
- Motor Trouble
- Motor Running

Type AA - Type AA panels provide audible and visible alarm indications for 2 separate electric controllers utilizing 1 alarm panel enclosure.

Construction - FTA200 alarm panels make use of printed circuit boards which provide reliable and trouble free service. The enclosures are NEMA Type 1 (IEC IP20) for indoor wall mounting. A bottom entry gland plate is provided in the enclosure. The standard enclosure color is red.

Mounted on the enclosure door are LED’s for visible alarm indication, the SILENCE push-button and the LAMP TEST push-button.

An alarm bell for audible indication is mounted on the side of the enclosure.

Each LED will illuminate to indicate its alarm condition and will remain lit until the abnormal condition has been corrected. The audible alarm will sound when the alarm conditions occur and will continue to sound until the abnormal condition has been corrected or the SILENCE push-button has been pressed. Pressing the SILENCE push-button will silence the audible alarm but will not extinguish the LED. If another alarm condition occurs the audible alarm will again sound until silenced by the SILENCE push-button or until the abnormal condition has been corrected.

The LAMP TEST push-button is supplied for manually testing the LED’s.

Modifications – The following are available as modifications to the controllers:

Special Enclosures

- Q Enclosure, NEMA Type 2 (IP22), Painted Steel
- EX Enclosure, NEMA Type 4 (IP66), Painted Steel
- FXP Enclosure, NEMA Type 4X (IP66) #304 Stainless Steel, Painted Finish

Additional Alarm Functions

Each Additional alarm function ordered will include a audible and visible alarm. Alarm functions must exist in the controller to be ordered as remote alarms.

Standard Remote Alarms

- AM Alarm, Audible/Visible, Fail To Start
- BY1 Alarm, Audible/Visible, Overcurrent
- EK1 Alarm, Audible/Visible, Flow Meter Open

Non-Standard Remote Alarms

- X When ordering, specify the number of alarms required, the function of each and the nameplate marking of each.
- BA AC Input, 220-240V
- BS Push-Button, Pump Start

Note: Up to six (6) additional alarms can be added to type A panels. One (1) additional alarm can be added to type AA panels.

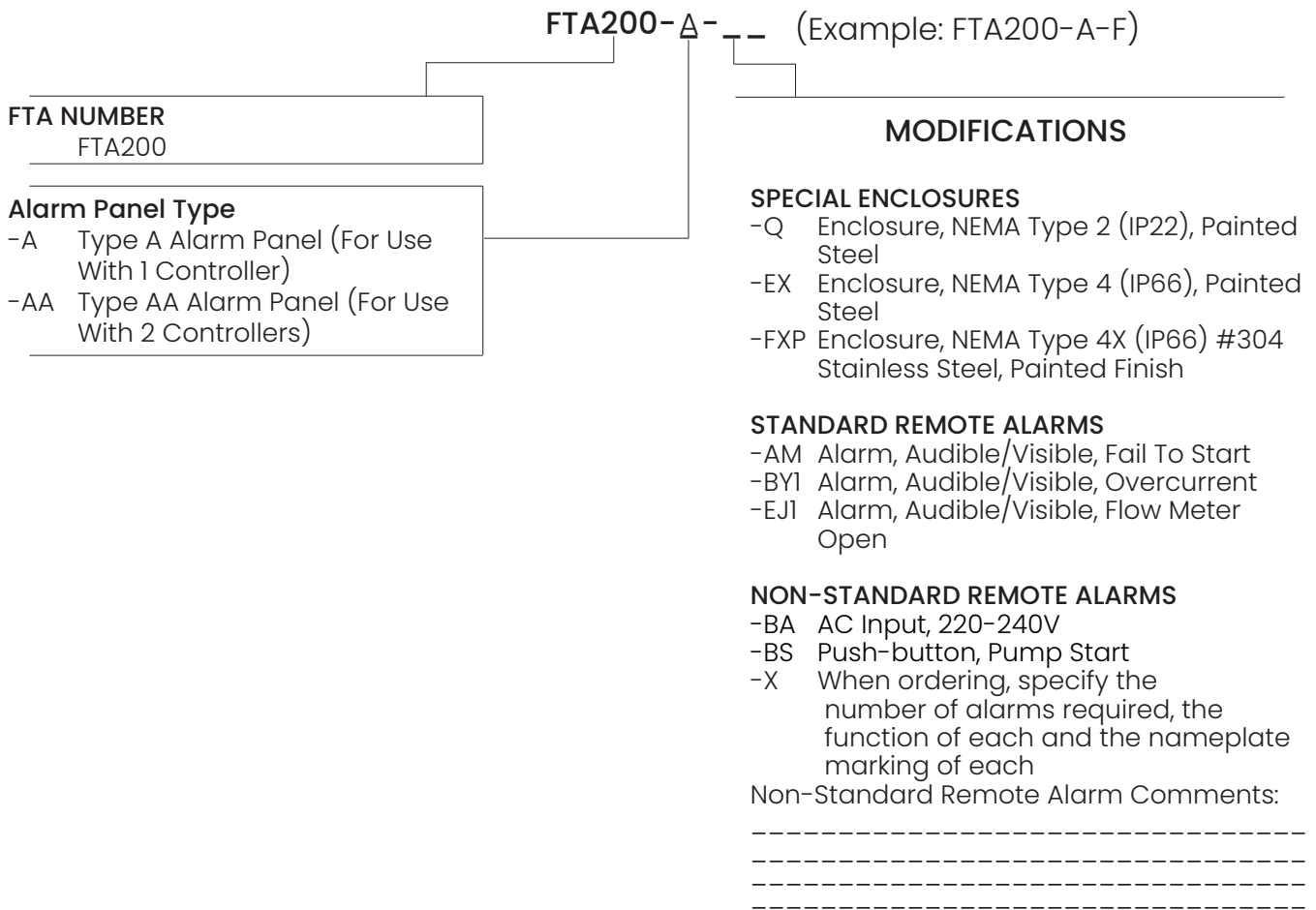
Firetrol, Inc.

3412 Apex Peakway
Apex, North Carolina 27502
P +1 919 460 5200
F +1 919 460 5250
www.firetrol.com

While every precaution has been taken to ensure accuracy and completeness herein, Firetrol, Inc. assumes no responsibility, and disclaims all liability, for damages resulting from use of this information or for any errors or omissions. Specifications and drawings are subject to change without notice. ©2019 Firetrol, Inc., All Rights Reserved.



Remote Alarm Panels for use with Electric Fire Pump Controllers



Firetrol, Inc.
3412 Apex Peakway
Apex, North Carolina 27502
P +1 919 460 5200
F +1 919 460 5250
www.firetrol.com

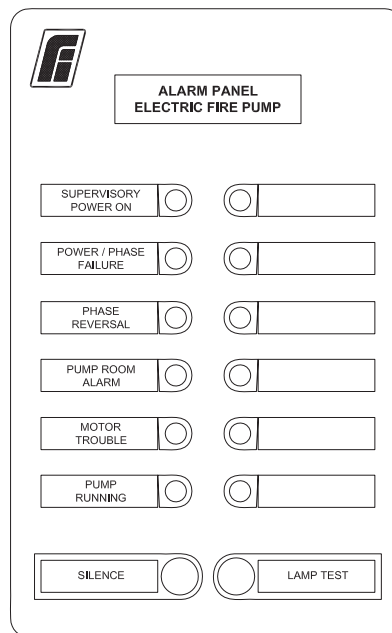
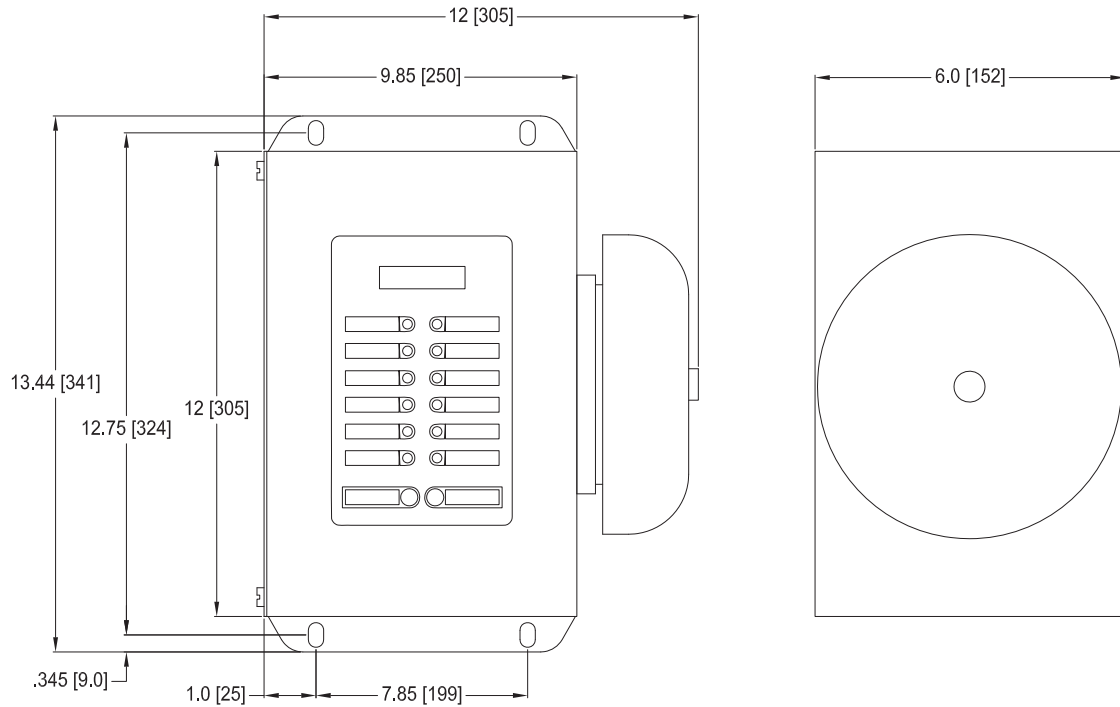
While every precaution has been taken to ensure accuracy and completeness herein, Firetrol, Inc. assumes no responsibility, and disclaims all liability, for damages resulting from use of this information or for any errors or omissions. Specifications and drawings are subject to change without notice. ©2019 Firetrol, Inc., All Rights Reserved.

Dimensions and Shipping Weight



FTA200A

Remote Alarm Panels for use with Electric Fire Pump Controllers



NOTES:

1. NEMA 1 ENCLOSURE
2. STANDARD PAINT: TEXTURED RED RAL3002
3. ALL DIMENSIONS: INCHES [MILLIMETERS]
SHIPPING WEIGHT: POUNDS [KG]
4. BUILT TO UL 508A STANDARD
5. DO NOT INSTALL IN AMBIENT TEMPERATURES BELOW 41°F [5°C]

APPROXIMATE SHIPPING WEIGHT
20 [9]

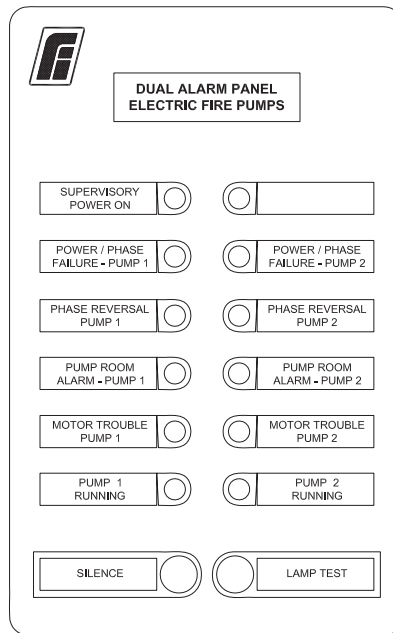
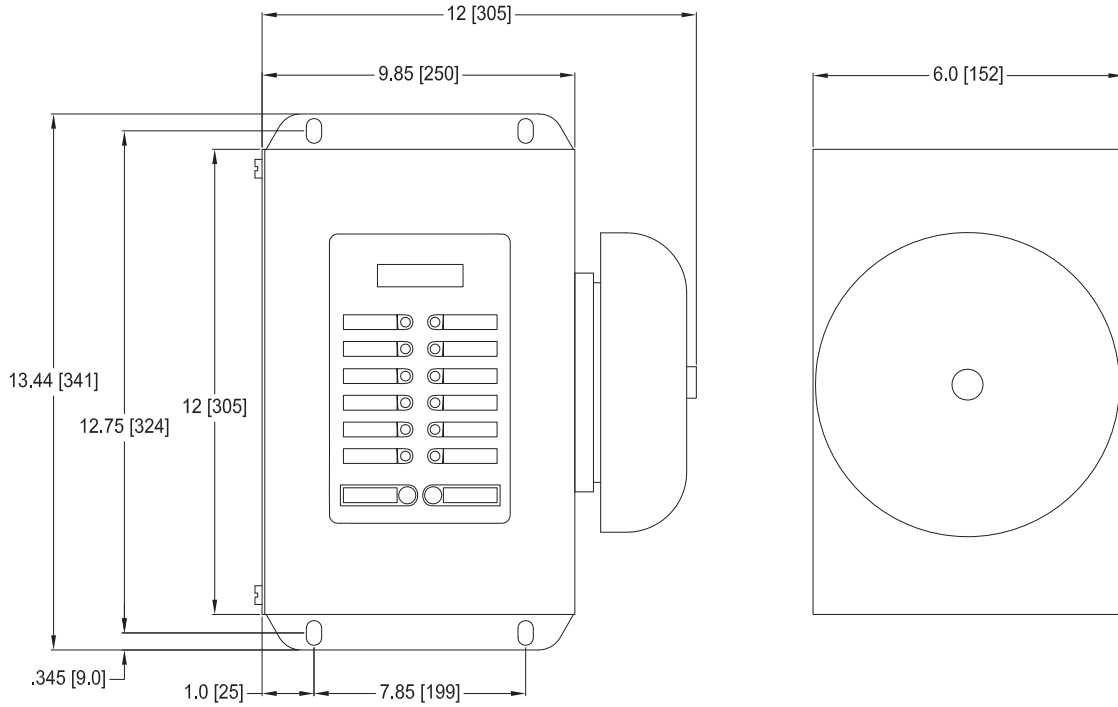
	SIZE	A	BY	DATE	<p>© Firetrol, Inc. Not for construction. Subject to change without notice.</p>	NEW RELEASE	-	-	JMW	CJR	11-04-19
	DRAWN BY	JMW	11-01-19	REVISION DESCRIPTION		REV	ECN NO	BY	APP	DATE	
	FINAL APPROVAL	CJR	11-01-19	DIMENSIONS & SHIPPING WEIGHT		FTA200		DRAWING NUMBER		DD200A-60	
	ALARM PANEL FOR ELECTRIC FIRE PUMP CONTROLLER					DWG REV	ECN NO	SHEET 1 OF 1			

Dimensions and Shipping Weight



FTA200AA

Remote Alarm Panels for use with (2) Electric Fire Pump Controllers



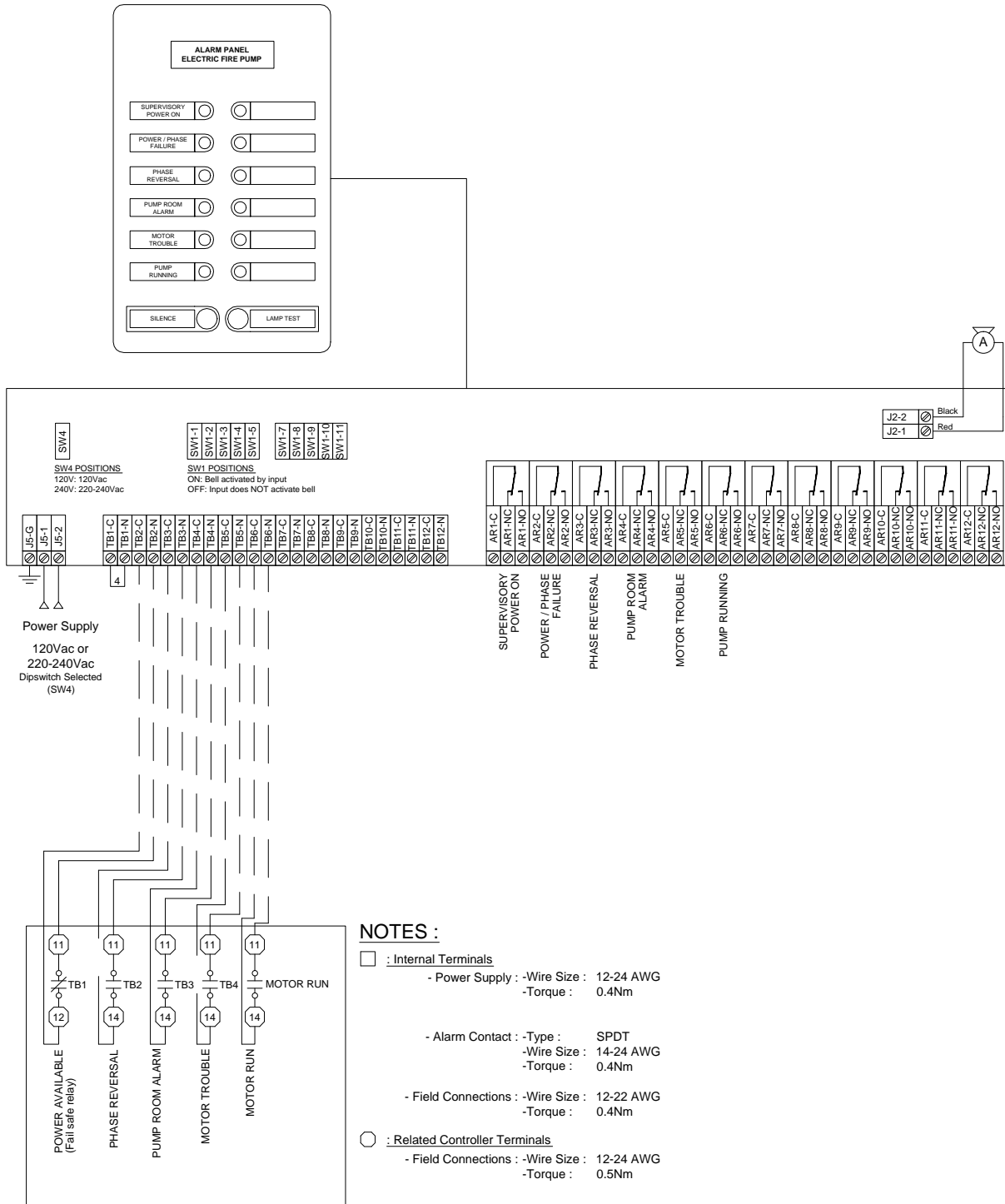
NOTES:

1. NEMA 1 ENCLOSURE
2. STANDARD PAINT: TEXTURED RED RAL3002
3. ALL DIMENSIONS: INCHES [MILLIMETERS]
SHIPPING WEIGHT: POUNDS [KG]
4. BUILT TO UL 508A STANDARD
5. DO NOT INSTALL IN AMBIENT TEMPERATURES BELOW 41°F [5°C]

APPROXIMATE SHIPPING WEIGHT
20 [9]

	SIZE	A	BY	JMW	DATE	11-01-19	<p>© Firetrol, Inc. Not for construction. Subject to change without notice.</p>	NEW RELEASE	-	-	JMW	CIR	11-04-19
	REVISION DESCRIPTION	REV	ECN NO	BY	APP	DATE							
	DIMENSIONS & SHIPPING WEIGHT	FTA200		DRAWING NUMBER		DD200AA-60				CDL			
	ALARM PANEL FOR 2 ELECTRIC FIRE PUMP CONTROLLERS	DWG REV	-	ECN NO	-	SHEET 1 OF 1							

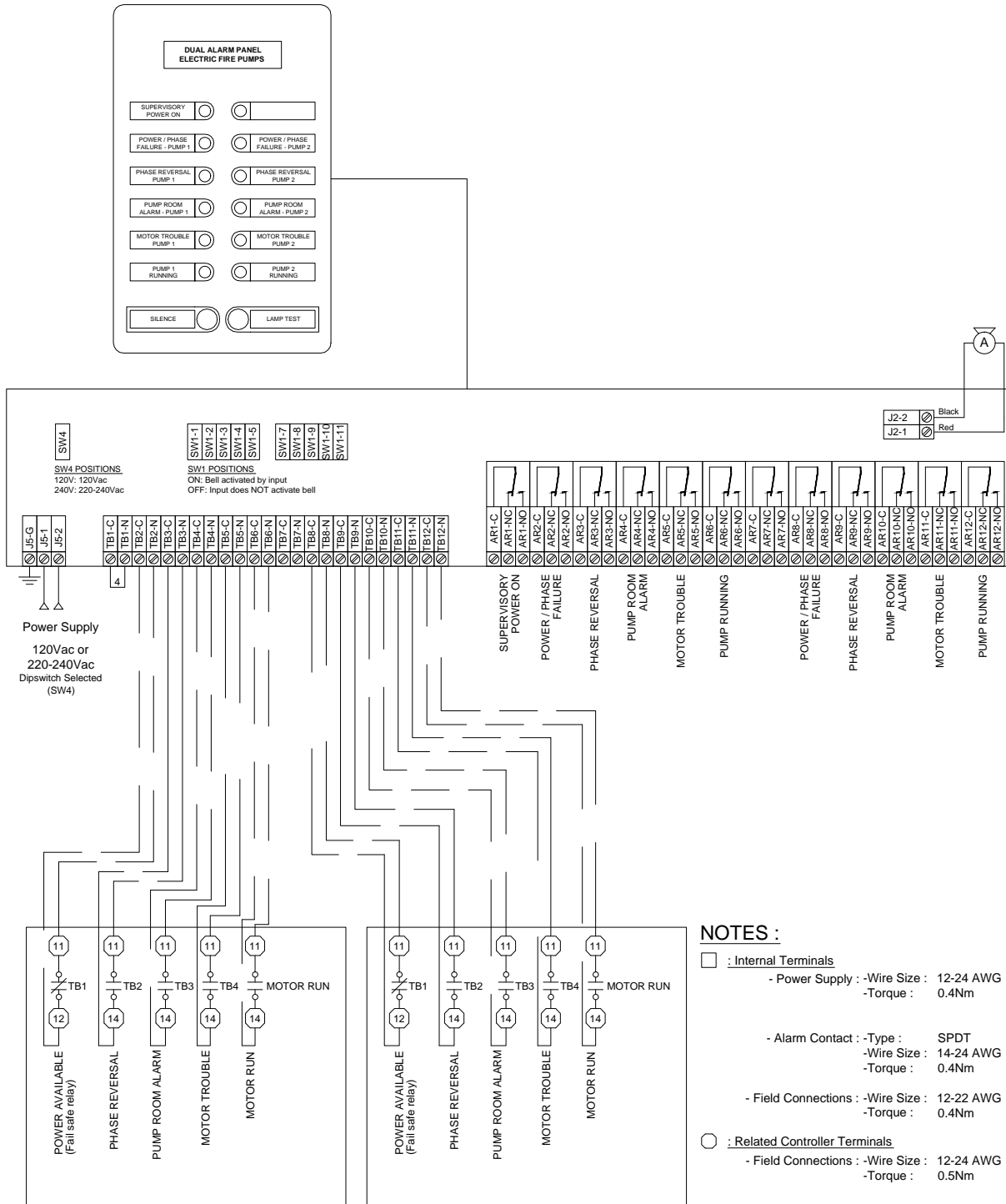
Remote Alarm Panels for use with Electric Fire Pump Controllers





Drawing for information only.
Manufacturer reserves the right to modify this drawing without notice.
For drawing for approval or installation, please contact manufacturer.

<p>THIRD ANGLE PROJECTION</p>	SIZE	A	BY	DATE	RELEASED	-	-	CIR	CIR	11-5-19
	DRAWN BY	CIR	11-5-19	REVISION DESCRIPTION		REV	ECN NO	BY	APP	DATE
	FINAL APPROVAL	CIR	11-5-19	WIRING SCHEMATIC & FIELD CONN		FTA200	DRAWING NUMBER			
	<p>© Firetrol, Inc. Not for construction. Subject to change without notice.</p>					ALARM PANEL FOR ELECTRIC FIRE PUMP CONTROLLER		WS200A-60		
					WIRING SCHEMATIC AND FIELD CONNECTIONS		DWG REV	ECN NO	SHEET 1 OF 1	

Remote Alarm Panels for use with (2) Electric Fire Pump Controllers



Drawing for information only.
Manufacturer reserves the right to modify this drawing without notice.
For drawing for approval or installation, please contact manufacturer.

 <p>THIRD ANGLE PROJECTION</p>	SIZE	A	BY	DATE	RELEASED	-	-	CIR	CIR	11-5-19
	DRAWN BY	CIR	11-5-19	REVISION DESCRIPTION		REV	ECN NO	BY	APP	DATE
	FINAL APPROVAL	CIR	11-5-19	WIRING SCHEMATIC & FIELD CONN	FTA200	DRAWING NUMBER WS200AA-60				
	 <p>© Firetrol, Inc. Not for construction. Subject to change without notice.</p>					ALARM PANEL FOR (2) ELECTRIC FIRE PUMP CONTROLLERS		CDL		
WIRING SCHEMATIC AND FIELD CONNECTIONS					DWG REV	-	ECN NO	-	SHEET 1 OF 1	