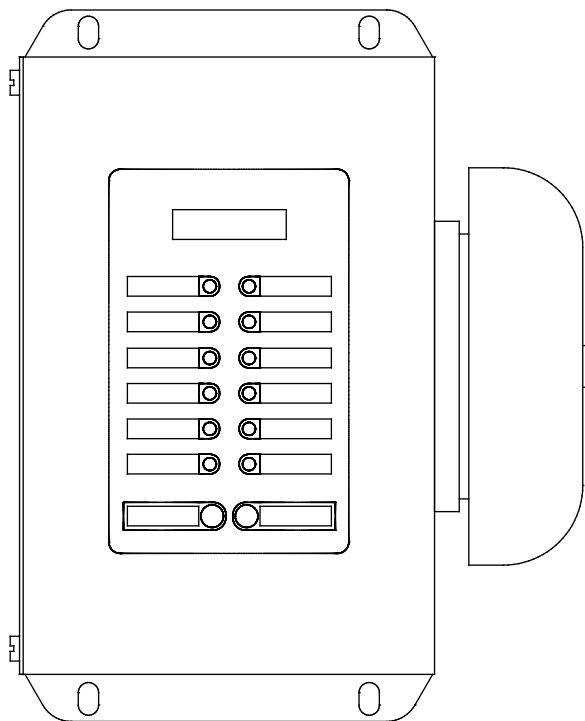


Remote Alarm Panels For Use With Diesel Engine Fire Pump Controllers

Project Information



(DRAWINGS INCLUDED IN THIS PACKAGE ARE FOR STANDARD CONTROLLERS. ACTUAL "AS BUILT" DRAWINGS MAY DIFFER FROM THOSE SEEN HERE).

Firetrol, Inc.

3412 Apex Peakway
Apex, North Carolina 27502
P 919 460 5200
F 919 460 5250
www.firetrol.com

While every precaution has been taken to ensure accuracy and completeness herein, Firetrol, Inc. assumes no responsibility, and disclaims all liability, for damages resulting from use of this information or for any errors or omissions. Specifications and drawings are subject to change without notice. ©2019 Firetrol, Inc., All Rights Reserved.

Firetrol Remote Alarm Panels for Use With Diesel Engine and Electric Fire Pump Controllers

FTA200-A, 200-AA, 200-F, 200-FF & 200-AF
Specifications

1.0 Alarm Panel

The main fire pump controller shall be a factory assembled, wired and tested unit.

1.1 Standards, Listings & Approvals

The controller shall conform to all the requirements of the latest editions of:
NFPA 20, *Standard for the Installation of Stationary Pumps for Fire Protection*
NFPA 70, *National Electrical Code*.
Factory Mutual (FM)

The controller shall be listed by:
Underwriters Laboratories, Inc., in accordance with UL508, *Standard for Industrial Controls*
Canadian Standards Association CSA-C22.2, *Standard for Industrial Control Equipment* (cUL)

1.2 Enclosure

The controller components shall be housed in a NEMA Type 1 (IEC IP20) drip-proof, wall mounted enclosure with bottom entry gland plate.

1.3 Operation

The alarm panel shall have individual LED lights to indicate its alarm condition which shall remain lighted until the alarm condition has been corrected. The alarm panel shall also have an audible alarm which will sound when the alarm conditions occur and may be silenced by pressing a SILENCE ALARM push-button.

Each alarm initiation shall be subsequent to any and all previous alarm conditions so that the silence push-button acknowledgment of any one alarm will not prevent the audible alarm from sounding on successive alarm conditions.

The alarm panel shall have a PUSH-TO-TEST push-button for manually testing all LED lights, audible alarms and output circuits. All alarm LED's and push-buttons shall be plainly marked for identification.

1.4 Manufacturer

The alarm panel shall be a Firetrol model FTA200-A for use with electric fire pump controllers, FTA200-AA for use with 2 electric fire pump controllers or model FTA200-F for use with diesel engine fire pump controllers, FTA200-FF for use with 2 diesel engine fire pump controllers or a FTA200-AF for use with 1 electric fire pump controller and 1 diesel engine fire pump controller.

3412 Apex Peakway
Apex, North Carolina 27502
P +1 919 460 5200
F +1 919 460 5250
www.firetrol.com

While every precaution has been taken to ensure accuracy and completeness herein, Firetrol, Inc. assumes no responsibility, and disclaims all liability, for damages resulting from use of this information or for any errors or omissions. Specifications and drawings are subject to change without notice. ©2019 Firetrol, Inc., All Rights Reserved.

Firetrol, Inc.

Remote Alarm Panels for use with Diesel Engine Fire Pump Controllers



Description—Firetrol® FTA200 alarm panels are designed to meet the NFPA 20 specifications requiring a remote alarm panel when the pump house or pump room is not constantly attended. The alarm panel must be installed in a location that is under supervision at all times.

Approvals—These alarm panels are listed by Underwriter's Laboratories, Inc., in accordance with UL508, *Standard for Industrial Controls*, certified by CSA, *Standard for Industrial Control Equipment* (cUL) and approved by Factory Mutual. They are designed to meet or exceed the requirements of the approving authorities listed above as well as NFPA 20, *Installation of Centrifugal Fire Pumps*.

Standard Features—The following are included as standard with each controller:

Type F - Type F panels provide alarm indication for the following conditions:

- Supervisory Power On (Visible Only)
- Main Switch In Hand or Off (Audible and Visible)
- Controller Trouble (Audible and Visible)

- Pump Room Alarm (Audible and Visible)
- Engine Trouble (Audible and Visible)
- Engine Running (Audible and Visible)

Type FF - Type FF panels provide audible and visible alarm indications for 2 separate diesel engine controllers utilizing 1 alarm panel enclosure.

Construction - FTA200 alarm panels make use of printed circuit boards which provide reliable and trouble free service. The enclosures are NEMA Type 1 (IEC IP20) for indoor wall mounting. A bottom entry gland plate is provided in the enclosure. The standard enclosure color is red.

Mounted on the enclosure door are the LED lights for visible alarm indication, the SILENCE ALARM push-button and the LAMP TEST push-button.

An alarm bell for audible indication is mounted on the side of the enclosure.

Each LED will illuminate to indicate its alarm condition and will remain lighted until the abnormal condition has been corrected. The audible alarm will sound when the alarm conditions occur and will continue to sound until the abnormal condition has been corrected or the SILENCE ALARM push-button has been pressed. Pressing the SILENCE ALARM push-button will silence the audible alarm but will not extinguish the LED. If another alarm condition occurs the audible alarm will again sound until silenced by the SILENCE ALARM push-button or until the abnormal condition has been corrected.

The LAMP TEST push-button is supplied for manually testing the LED's.

Modifications—The following are available as modifications to the controllers:

Special Enclosures

- Q Enclosure, NEMA Type 2 (IP22), Painted Steel
- EX Enclosure, NEMA Type 4 (IP66), Painted Steel
- FX Enclosure, NEMA Type 4X (IP66) #304 Stainless Steel, Painted Finish

Additional Alarm Functions

Each Additional alarm function ordered will include a audible and visible alarm. Alarm functions must exist in the controller to be ordered as remote alarms.

Standard Remote Alarms

- AU Alarm, Audible/Visible, Low Fuel Level
- AV Alarm, Audible/Visible, Low Pump Room Temperature
- AW Alarm, Audible/Visible, Reservoir Low
- AY Alarm, Audible/Visible, Low Suction Pressure
- AJ Alarm, Audible/Visible, Engine Overspeed
- AK Alarm, Audible/Visible, Low Oil Pressure
- AL Alarm, Audible/Visible, High Water Temperature
- AM Alarm, Audible/Visible, Fail To Start
- AN Alarm, Audible/Visible, Battery/Charger Failure
- AP Alarm, Audible/Visible, Main Switch In Manual

- AR Alarm, Audible/Visible, Main Switch In OFF
- AS Alarm, Audible/Visible, Main Switch In Auto
- LC Alarm, Audible/Visible, High Fuel Level
- LE Alarm, Audible/Visible, Fuel Spill
- EG Alarm, Audible/Visible, Relief Valve Discharge
- EJ Alarm, Audible/Visible, Flow Meter On

Non-Standard Remote Alarms

- X When ordering, specify the number of alarms required, the function of each and the nameplate marking of each.
- BA AC Input, 220-240V
- BS Push-button, Flange Mounted Pump Start

Note: Up to six (6) additional alarms can be added to type F panels. One (1) additional alarm can be added to type FF panels.

Firetrol, Inc.

3412 Apex Peakway
Apex, North Carolina 27502
P +1 919 460 5200
F +1 919 460 5250
www.firetrol.com

While every precaution has been taken to ensure accuracy and completeness herein, Firetrol, Inc. assumes no responsibility, and disclaims all liability, for damages resulting from use of this information or for any errors or omissions. Specifications and drawings are subject to change without notice. ©2019 Firetrol, Inc., All Rights Reserved.



Remote Alarm Panels For Use With Diesel Engine Fire Pump Controllers

FTA200-F- (Example: FTA200-F-Y)

FTA NUMBER
FTA200

Alarm Panel Type
-F Type F Alarm Panel (For use with 1 controller)
-FF Type FF Alarm Panel (For use with 2 controllers)

- AK Alarm, Audible/Visible, Low Oil Pressure
- AL Alarm, Audible/Visible, High Water Temperature
- AM Alarm, Audible/Visible, Fail to Start
- AN Alarm, Audible/Visible, Battery/Charger Failure
- AP Alarm, Audible/Visible, Main Switch In Hand
- AR Alarm, Audible/Visible, Main Switch In Off
- AS Alarm, Audible/Visible, Main Switch In Auto
- LC Alarm, Audible/Visible, High Fuel Level
- LE Alarm, Audible/Visible, Fuel Tank Leak
- EJ Alarm, Audible/Visible, Flow Meter Open

MODIFICATIONS

SPECIAL ENCLOSURES

- Q Enclosure, NEMA Type 2 (IP22), Painted Steel
- EX Enclosure, NEMA Type 4 (IP66), Painted Steel
- FXP Enclosure, NEMA Type 4X (IP66) #304 Stainless Steel, Painted Finish

STANDARD REMOTE ALARMS

- AU Alarm, Audible/Visible, Low Fuel Level
- AV Alarm, Audible/Visible, Low Pump Room Temperature
- AW Alarm, Audible/Visible, Reservoir Low
- AY Alarm, Audible/Visible, Low Suction Pressure
- AJ Alarm, Audible/Visible, Engine Over-speed

NON-STANDARD REMOTE ALARMS

- X When ordering, specify the number of alarms required, the function of each and the name-plate marking of each
- BA AC Input, 220-240V
- BS Push-button, Flange Mounted Pump Start

Non-Standard Remote Alarm Comments:

Firetrol, Inc.

3412 Apex Peakway
Apex, North Carolina 27502
P +1 919 460 5200
F +1 919 460 5250
www.firetrol.com

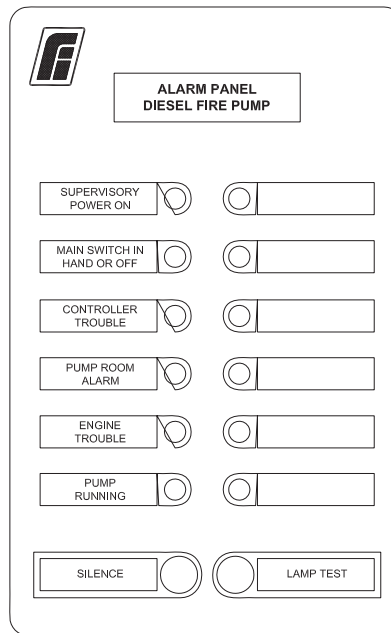
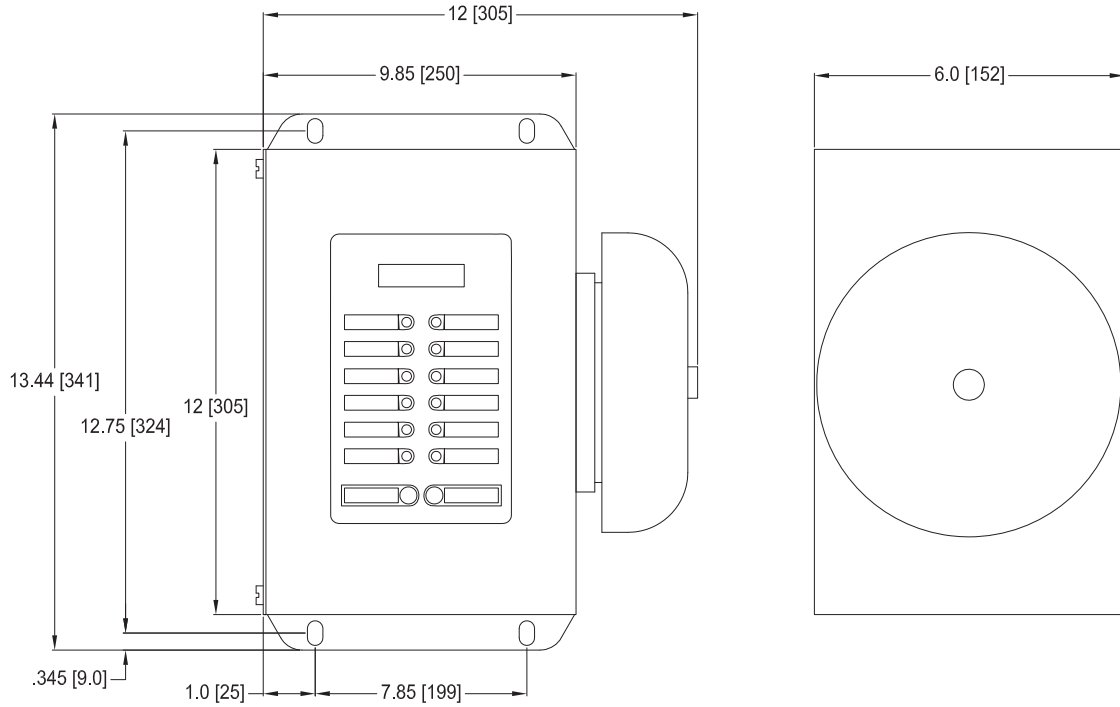
While every precaution has been taken to ensure accuracy and completeness herein, Firetrol, Inc. assumes no responsibility, and disclaims all liability, for damages resulting from use of this information or for any errors or omissions. Specifications and drawings are subject to change without notice. ©2019 Firetrol, Inc., All Rights Reserved.

Dimensions and Shipping Weight



FTA200F

Remote Alarm Panels for use with Diesel Engine Fire Pump Controllers



NOTES:

1. NEMA 1 ENCLOSURE
2. STANDARD PAINT: TEXTURED RED RAL3002
3. ALL DIMENSIONS: INCHES [MILLIMETERS]
SHIPPING WEIGHT: POUNDS [KG]
4. BUILT TO UL 508A STANDARD
5. DO NOT INSTALL IN AMBIENT TEMPERATURES BELOW 41°F [5°C]

APPROXIMATE
SHIPPING WEIGHT
20 [9]

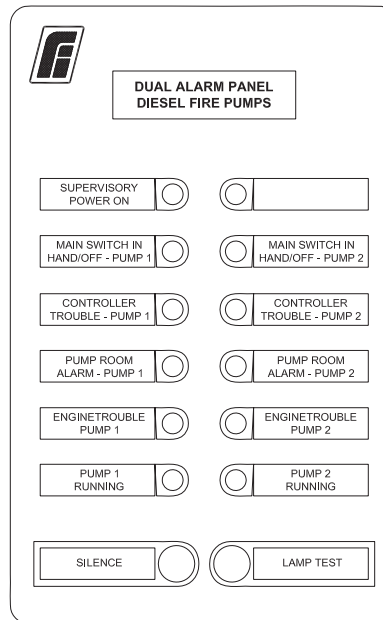
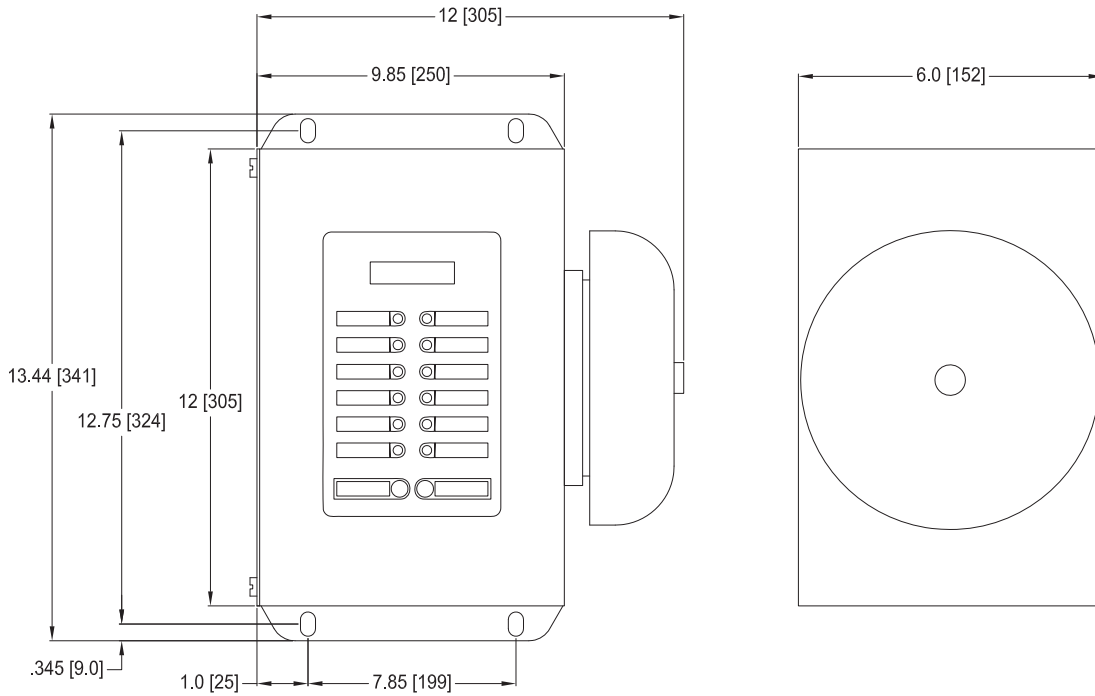
	SIZE	A	BY	DATE	<p>© Firetrol, Inc. Not for construction. Subject to change without notice.</p>	NEW RELEASE	-	-	JMW	CJR	11-04-19	
	DRAWN BY	JMW	11-01-19	REVISION DESCRIPTION		REV	ECN NO	BY	APP	DATE		
	FINAL APPROVAL	CJR	11-01-19	DIMENSIONS & SHIPPING WEIGHT		FTA200		DRAWING NUMBER DD200F-60				
						ALARM PANEL FOR DIESEL FIRE PUMP CONTROLLER	DWG REV	ECN NO	SHEET 1 OF 1			

Dimensions and Shipping Weight



FTA200FF

Remote Alarm Panels for use with (2) Diesel Engine Fire Pump Controllers



NOTES:

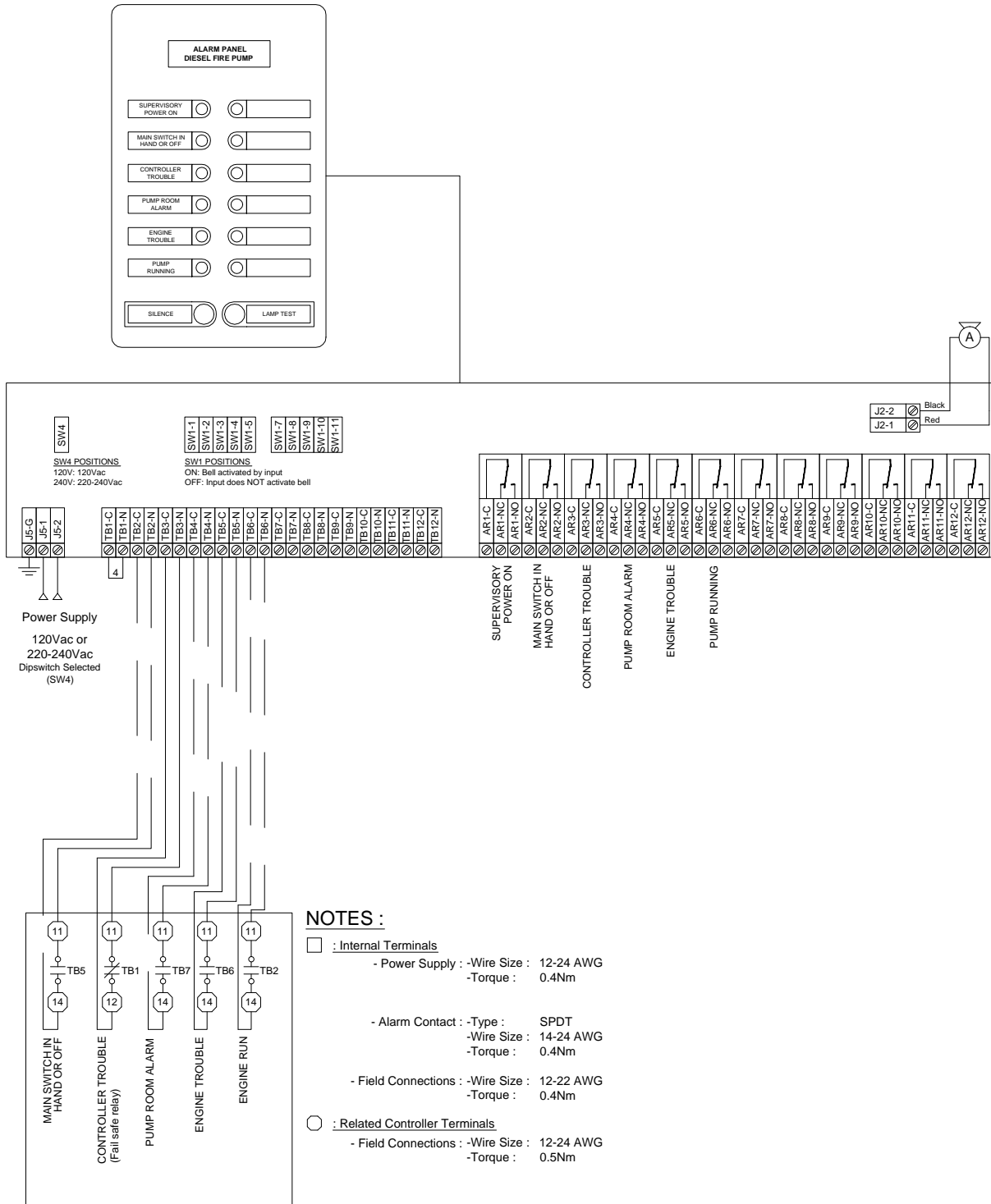
1. NEMA 1 ENCLOSURE
2. STANDARD PAINT: TEXTURED RED RAL3002
3. ALL DIMENSIONS: INCHES [MILLIMETERS]
SHIPPING WEIGHT: POUNDS [KG]
4. BUILT TO UL 508A STANDARD
5. DO NOT INSTALL IN AMBIENT TEMPERATURES BELOW 41°F [5°C]

APPROXIMATE SHIPPING WEIGHT
20 [9]



	SIZE	A	BY	JMW	DATE	11-01-19	<p>© Firetrol, Inc. Not for construction. Subject to change without notice.</p>	NEW RELEASE	-	-	JMW	CJR	11-04-19
	REVISION DESCRIPTION	REV	ECN NO	BY	APP	DATE							
	DIMENSIONS & SHIPPING WEIGHT	FTA200		DRAWING NUMBER		DD200FF-60							
	ALARM PANEL FOR 2 DIESEL FIRE PUMP CONTROLLERS	DWG REV	ECN NO	SHEET 1 OF 1									

All rights reserved. The drawing and the information contained or depicted herein are the sole property of Firetrol, Inc. Copies are communicated to the recipient in strict confidence and may not be retransmitted, published, reproduced, copied or used in any manner, including as the basis for the manufacture or sale of any products, without the express prior written consent of Firetrol, Inc.

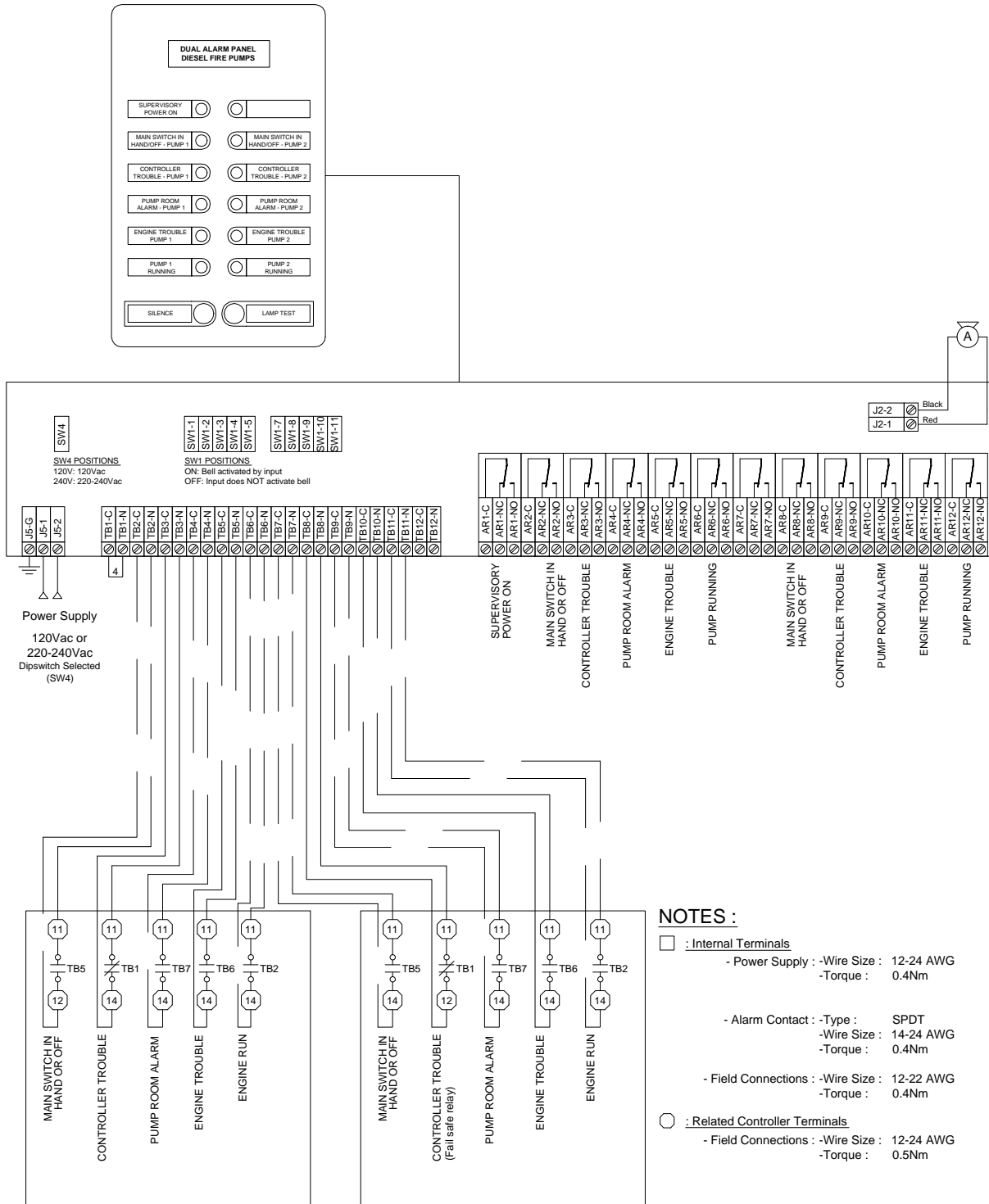
Remote Alarm Panels for use with Diesel Engine Fire Pump Controllers





Drawing for information only.
Manufacturer reserves the right to modify this drawing without notice.
For drawing for approval or installation, please contact manufacturer.

	SIZE	A	BY	DATE	 <p>© Firetrol, Inc. Not for construction. Subject to change without notice.</p>	RELEASED	-	-	CIR	CIR	11-5-19
	DRAWN BY	CIR	11-5-19	REVISION DESCRIPTION		REV	ECN NO	BY	APP	DATE	
	FINAL APPROVAL	CIR	11-5-19	WIRING SCHEMATIC & FIELD CONN		FTA200	DRAWING NUMBER			WS200F-60	CDL
						ALARM PANEL FOR DIESEL FIRE PUMP CONTROLLER	DWG REV -		ECN NO -	SHEET 1 OF 1	

Remote Alarm Panels for use with (2) Diesel Engine Fire Pump Controllers



Drawing for information only.
Manufacturer reserves the right to modify this drawing without notice.
For drawing for approval or installation, please contact manufacturer.

 <p>THIRD ANGLE PROJECTION</p>	SIZE	A	BY	DATE	RELEASED	-	-	CIR	CIR	11-5-19	
	DRAWN BY	CIR	11-5-19	 <p>© Firetrol, Inc. Not for construction. Subject to change without notice.</p>		REVISION DESCRIPTION	REV	ECN NO	BY	APP	DATE
	FINAL APPROVAL	CIR	11-5-19	WIRING SCHEMATIC & FIELD CONN	FTA200	DRAWING NUMBER	WS200FF-60				
						ALARM PANEL FOR (2) DIESEL FIRE PUMP CONTROLLER	DWG REV	ECN NO	SHEET 1 OF 1		