

# MYERS® ME7 Series

Cast Iron Submersible Effluent Pumps

## SPECIFICATIONS

|                          |   |          |
|--------------------------|---|----------|
| Applications             | Effluent and Wastewater Removal, Sump Drainage, Dewatering, Flood Control   |          |
| Capacities               | 110 GPM   | 416 LPM  |
| Shut-off head            | 58'   | 17.7 m   |
| Operation:               |   |          |
| Tethered: On             | 18"   | 459.7 mm |
| Off                      | 9"  | 231.1 mm |
| Solids handling          | 3/4"  | 19 mm    |
| Intermittent liquid temp | 130°F   | 54.4°C   |
| Motor                    | 1/2 HP, 3450 RPM, 115 Volt or 230 Volt, single-phase, 60 Hz. Oil-filled. Built-in thermal overload protection with automatic reset and permanent split capacitor. |          |
| Acceptable pH range      | 6-9   |          |
| Shaft seal               | Type 6A or equal, Buna-N elastomers, silicon carbide sealing faces, stainless steel metal parts   |          |
| Motor housing            | Cast Iron   |          |
| Volute case              | Cast iron   |          |
| Impeller                 | Cast iron Vortex  |          |
| Power cord               | 20' oil and water resistant 16-3 SJTW-A/SJTW with integrally grounded three-prong plug.   |          |
| Discharge, NPT           | 2"  |          |



**3 YEAR**  
WARRANTY



## FEATURES

- Bearing and Mechanical Seal – Permanently lubricated for long life.
- Overload Protection – Built-in thermal overload with automatic reset.
- Cord Design – Prevents oil loss from and moisture protection for motor.
- Serviceability – Heavy-duty lift-out ring, field serviceable.
- Solids Handling – 3/4" spherical capability.
- Stainless Steel Hardware – Allows for easy disassembly after extended service.
- Controls – Standard controls available for automatic operation.
- Float – Mechanical (non mercury).

## ORDERING INFORMATION

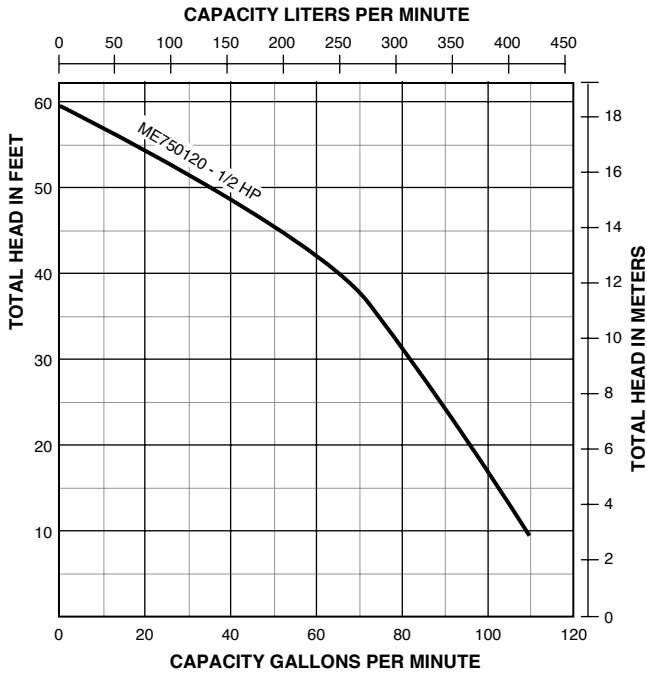
| Catalog Number | HP  | Maximum Load Amps | Volts | Phase/Cycles | Cord Length | Mechanical Switch Type | Switch Setting |      |
|----------------|-----|-------------------|-------|--------------|-------------|------------------------|----------------|------|
|                |     |                   |       |              |             |                        | On             | Off  |
| ME750120M      | 1/2 | 13.0              | 115   | 1/60         | 20'         | Manual                 | -              | -    |
| ME750120T      |     | 13.0              | 115   |              |             | Tethered               | 18.1"          | 9.1" |
| ME750220M      |     | 6.4               | 230   |              |             | Manual                 | -              | -    |

In order to provide the best products possible, specifications are subject to change.

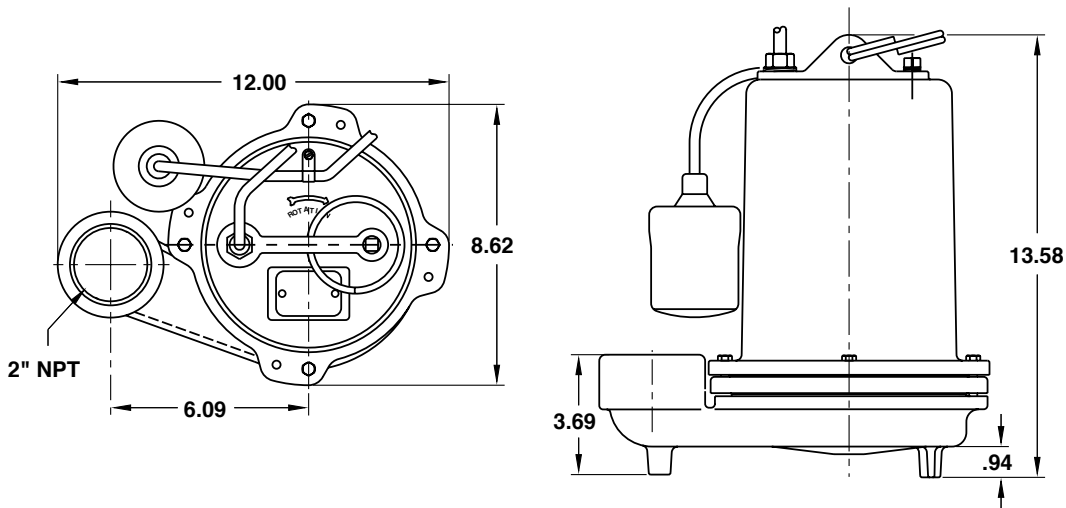
# MYERS® ME7 Series

Cast Iron Submersible Effluent Pumps

## PUMP PERFORMANCE



## OUTLINE DIMENSIONS



Dimensions (in inches) are for estimating purposes only.



USA  
293 WRIGHT STREET, DELAVAN, WI 53115 WWW.FEMYERS.COM  
PH: 888-987-8677 ORDERS FAX: 800-426-9446

CANADA  
490 PINEBUSH ROAD, UNIT 4, CAMBRIDGE, ONTARIO, N1T 0A5  
PH: 800-363-7867 FAX: 888-606-5484

Because we are continuously improving our products and services, Pentair reserves the right to change specifications without prior notice.