

MYERS® MWS9 Series

Cast Iron Submersible Sewage Pumps

MWS9 Series: 2" NPT Discharge

MWS39 Series: 3" NPT Discharge

SPECIFICATIONS

| | | |
|--------------------------|---|---|
| Applications | Sewage and Wastewater Removal and Transfer, Sump Drainage | |
| Capacities | 235 GPM | 889 LPM |
| Shut-off head | 54' | 16.5 m |
| Operation: Tethered: | Automatic Float Switch or Non-Automatic (manual) model available. | |
| Solids handling | 2" | 50.8 mm |
| Intermittent liquid temp | 130°F | 55°C |
| Min. Basin Diameter | | |
| Simplex: | 18" | 457 mm |
| Duplex: | 30" | 762 mm |
| Motor | 1, 1-1/2 and 2 HP, 1725 RPM, 230 Volt, single-phase, or 208-230/460 and 575 volt three-phase, 60 Hz. Oil-filled. PSC with thermal overload with built-in thermal overload protection with automatic reset and permanent split capacitor on single-phase only. | |
| Acceptable pH range | 6-9 | |
| Shaft seal | Primary: Mechanical type 21 or equal, Buna-N elastomers, silicon carbide seal faces, stainless steel metal parts; Secondary: self-lubricating energized nitrile lip seal | |
| Motor housing | Cast Iron | |
| Volute case | Cast Iron | |
| Impeller | Cast Iron Two-Vane Semi-Open Vortex | |
| Power cord | Single Phase: 20' UL/CSA Listed. 3 wire 16-3 SJTW-A/SJTW water resistant cord with integrally grounded three-prong plug. Three Phase: 20' UL/CSA Listed. 4 wire 16-4 SJTW-A/SJTW water resistant cord. | |
| Discharge | 2" NPT vertical discharge: The MWS9 | 3" NPT vertical discharge: The MWS39 |



3 YEAR
WARRANTY



FEATURES

- Impeller – Non-clog vortex style, pump out vanes for seal protection.
- Dual Shaft Seals – Primary mechanical seal with a secondary self-lubricating lip seal.
- Bearing and Mechanical Seal – Permanently lubricated for long life.
- Serviceability – Heavy-duty lift-out ring, field serviceable.
- Overload Protection – Built-in thermal overload with automatic reset on single phase
- Cord Design – Prevents oil loss from and moisture protection for motor.
- Controls – Standard controls available for automatic operation.

ORDERING INFORMATION

| Catalog Number | HP | Max. Load Amps | Volts | Phase/Cycles | Cord Length | Mechanical Switch Type | Discharge |
|----------------|-------|----------------|-------|--------------|-------------|------------------------|-----------|
| MWS9100220M | 1 | 8.5 | 230 | 1/60 | 20' | Manual | 2" NPT |
| MWS9100220T | | | | | | Tethered | |
| MWS9150220M | 1-1/2 | 12.0 | 460 | 3/60 | | Manual | |
| MWS9150420M | | | | | | | |
| MWS9200220M | 2 | 13.0 | 230 | 1/60 | | Manual | |
| MWS9200420M | | | | | | | |
| MWS39100220M | 1 | 8.5 | 230 | 1/60 | | Tethered | 3" NPT |
| MWS39100220T | | | | | | | |
| MWS39100520M | 1-1/2 | 3.5 | 575 | 3/60 | | Manual | |
| MWS39150220M | | | | | | | |
| MWS39150520M | 2 | 12.0 | 230 | 1/60 | Manual | | |
| MWS39150520M | | | | | | | |
| MWS39200220M | 2 | 13.0 | 230 | 1/60 | Manual | | |
| MWS39200320M | | | | | | | |
| MWS39200520M | | | | | | | |
| MWS39200520M | | 4.2 | 575 | 3/60 | | | |

In order to provide the best products possible, specifications are subject to change.

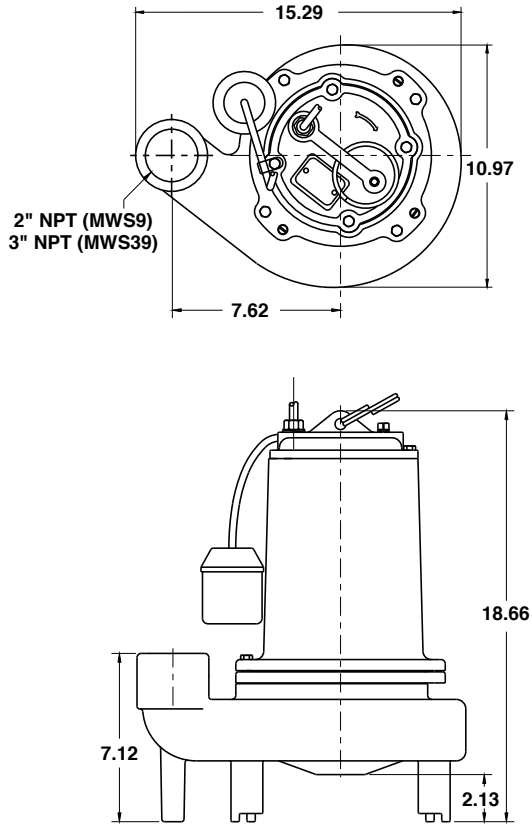
MYERS® MWS9 Series

Cast Iron Submersible Sewage Pumps

MWS9 Series: 2" NPT Discharge

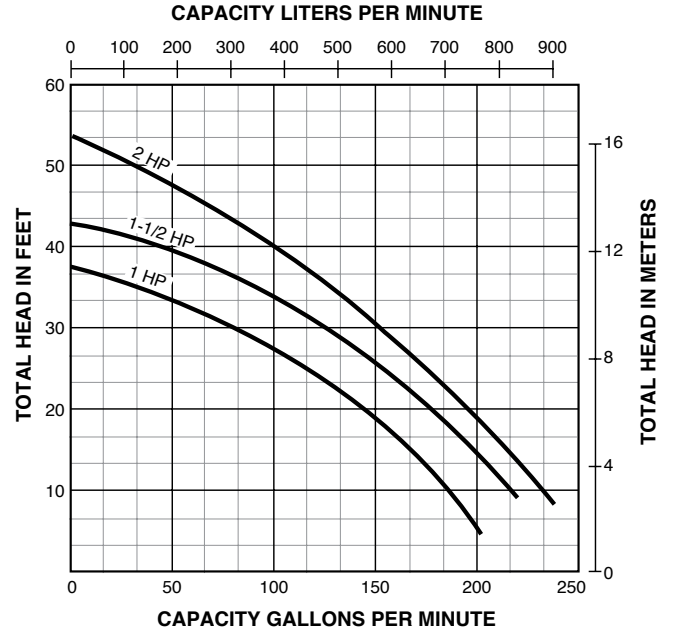
MWS39 Series: 3" NPT Discharge

OUTLINE DIMENSIONS



Dimensions (in inches) are for estimating purposes only.

PUMP PERFORMANCE



USA
293 WRIGHT STREET, DELAVAN, WI 53115 WWW.FEMYERS.COM
PH: 888-987-8677 ORDERS FAX: 800-426-9446

CANADA
490 PINEBUSH ROAD, UNIT 4, CAMBRIDGE, ONTARIO, N1T 0A5
PH: 800-363-7867 FAX: 888-606-5484

Because we are continuously improving our products and services, Pentair reserves the right to change specifications without prior notice.