

MYERS® MWS37 Series

Cast Iron Submersible Sewage Pumps

SPECIFICATIONS

Applications	Sewage and Wastewater Removal	
Capacities	135 GPM	510 LPM
Shut-off head	29'	8.8 m
Operation:		
Tethered: On	20"	508 mm
Off	11"	279.4 mm
Solids handling	2"	50.8 mm
Intermittent liquid temp	130°F	55°C
Motor	1/2 and 3/4 HP, 1725 RPM, 115 or 230 Volt, single-phase, 60 Hz. Oil-filled. Permanent split capacitor. Built-in thermal overload protection with automatic reset.	
Acceptable pH range	6-9	
Shaft seal	Type 6A or equal, Buna-N elastomers, silicon carbide seal faces, stainless steel metal parts.	
Motor housing	Cast Iron	
Volute case	Cast Iron	
Impeller	Cast Iron Vortex	
Power cord	Single phase: 20' oil and water resistant 3 wire 16-3 SJTW-A/ SJTW with UL listed integrally grounded three-prong plug.	
Discharge, NPT	3"	



3 YEAR
WARRANTY



FEATURES

- Bearing and Mechanical Seal – Permanently lubricated for long life.
- Overload Protection – Built-in thermal overload with automatic reset.
- Stainless Steel Hardware – Allows for easy disassembly after extended service.

ORDERING INFORMATION

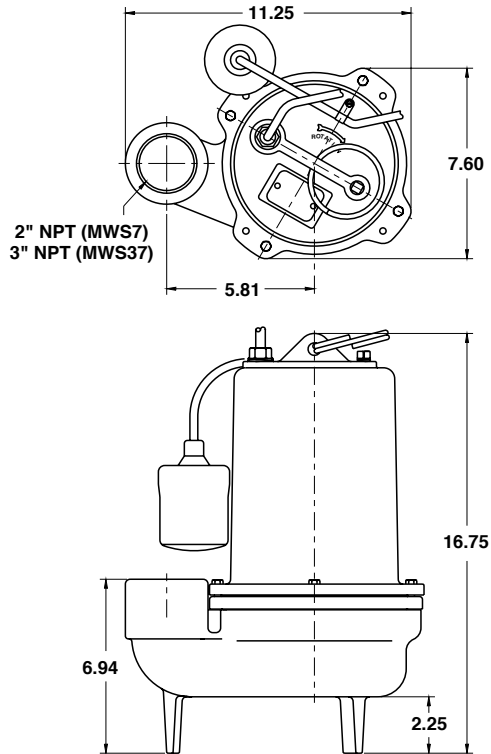
Catalog Number	HP	Maximum Load Amps	Volts	Phase/Cycles	Cord Length	Mechanical Switch Type	Switch Setting	
							On	Off
MWS3750120T	1/2	11.2	115	1/60	20'	Tethered	20"	11"
MWS375120T	3/4	12.0	115					
MWS375220T	3/4	6.7	230					

In order to provide the best products possible, specifications are subject to change.

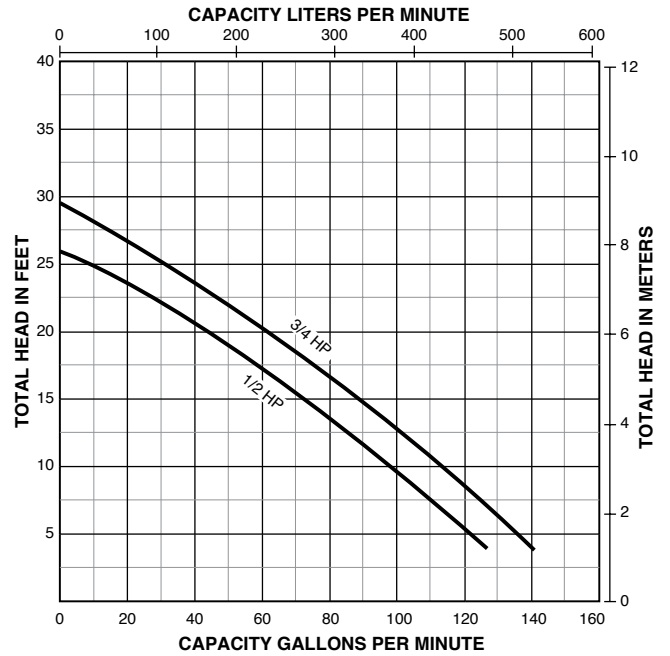
MYERS® MWS37 Series

Cast Iron Submersible Sewage Pumps

OUTLINE DIMENSIONS



PUMP PERFORMANCE



Dimensions (in inches) are for estimating purposes only.



USA
293 WRIGHT STREET, DELAVAN, WI 53115 WWW.FEMYERS.COM
PH: 888-987-8677 ORDERS FAX: 800-426-9446

CANADA
490 PINEBUSH ROAD, UNIT 4, CAMBRIDGE, ONTARIO, N1T 0A5
PH: 800-363-7867 FAX: 888-606-5484

Because we are continuously improving our products and services, Pentair reserves the right to change specifications without prior notice.