

SEWAGE PUMPS

The Myers MSE50 residential sewage pumps are designed for high performance applications. With a recessed vortex impeller, this pump will easily pass 2" solids and pump up to 145 GPM. With a durable cast iron construction and reliable two-pole switch design, this pump is perfect for any residential sewage application.

Specifications

Max Flow	145 GPM (549 LPM) at 5'
Max Shut-off Head	22' (6.7 m)
Solids Handling	2" (50.8 mm)
Intermittent Liquid Temperature	130°F (54.4°C)
Discharge, NPT	2" (50.8 mm)
Motor/Electrical Data	115V 9A 1Ø/230V 4.6A 1Ø
Acceptable pH Range	6-9
Cord Length	10' or 20' (3.1 m or 6.1 m)
Switch Type	Vertical
Switch On/Off	9.75 (247 mm) / 5.75 (146 mm)
Housing	Cast Iron
Volute	Cast Iron
Impeller	Thermoplastic recessed Vortex
Shaft Seal	Mechanical

Performance Data

Head	Flow GPM(LPM)
5'	145
10'	105
15'	75
20'	16
22'	0



Features

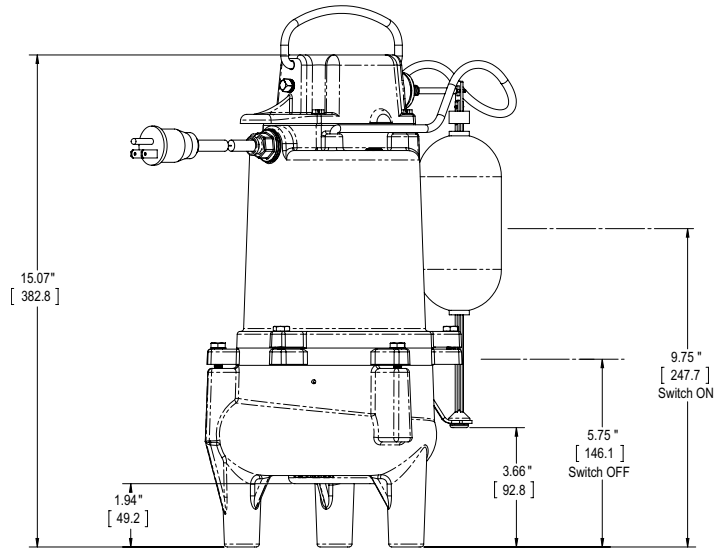
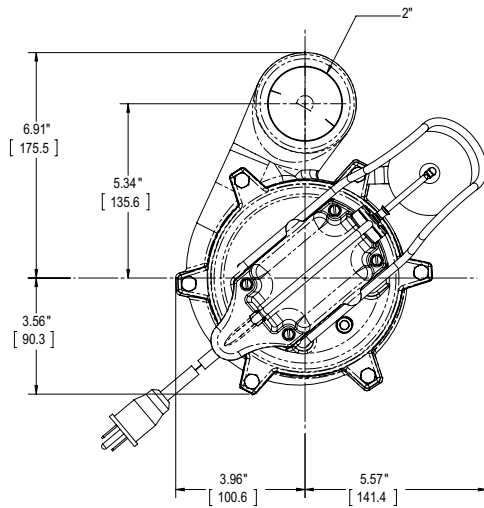
- Durable Construction**
 Durable cast iron construction for heavy duty applications
- Reliable Switch Design**
 The unique two-pole switch is protected with a guard to block debris
- Free-flow Design**
 Recessed impeller design also improves the free flow of solids up to 2"
- High Performance**
 Capable of pumping up to 145 GPM and up to 22 feet of head

Ordering Information

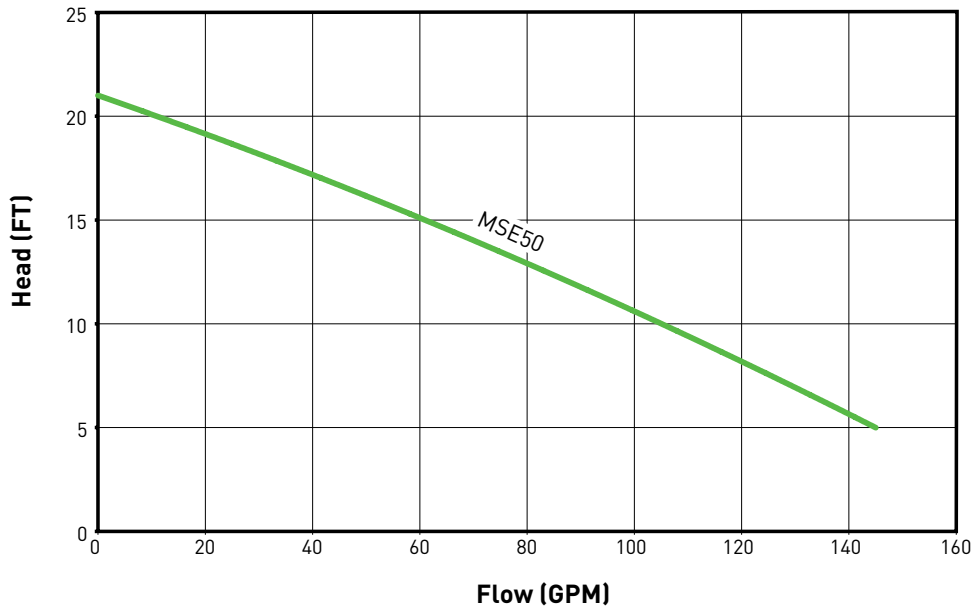
Catalog Number	HP	Volts	Phases/Cycles	Amps	Discharge Size	Switch Type	Cord Length	Approx. Wt. Lbs.
MSE5012P10	1/2	115	1	9.0	2" (50.8 mm)	2-Pole Auto	10' (3.1 m)	43 (19.5 kg)
MSE5022P10	1/2	230	1	4.6	2" (50.8 mm)	2-Pole Auto	10' (3.1 m)	44 (20.0 kg)
MSE5012P20	1/2	115	1	9.0	2" (50.8 mm)	2-Pole Auto	20' (6.1 m)	43 (19.5 kg)
MSE5022P20	1/2	230	1	4.6	2" (50.8 mm)	2-Pole Auto	20' (6.1 m)	44 (20.0 kg)

MYERS® MSE50

DIMENSIONS



PUMP PERFORMANCE



293 Wright Street
 Delavan, WI 53115
 USA
 Ph: 888-987-8677
 Orders Fax: 800-426-9446

490 Pinebush Road, Unit 4
 Cambridge, Ontario, Canada N1T 0A5
 CANADA
 Ph: 800-363-7867
 Orders Fax: 888-606-5484

www.femyers.com

Because we are continuously improving our products and services, Pentair reserves the right to change specifications without prior notice.

© 2018 Pentair plc. All Rights Reserved.

M11957SSE (06/12/18)