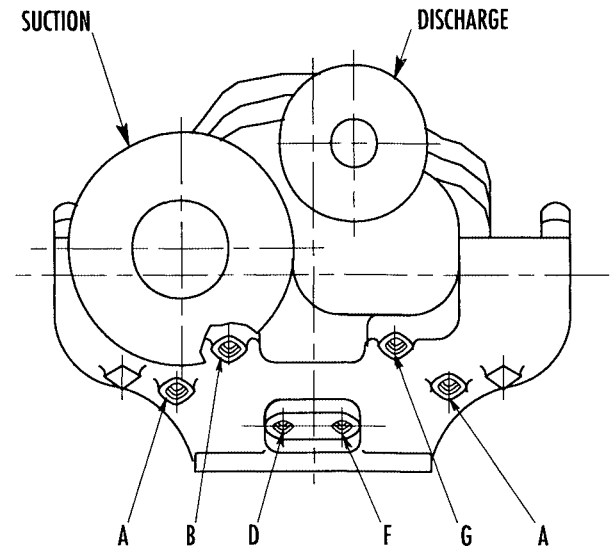
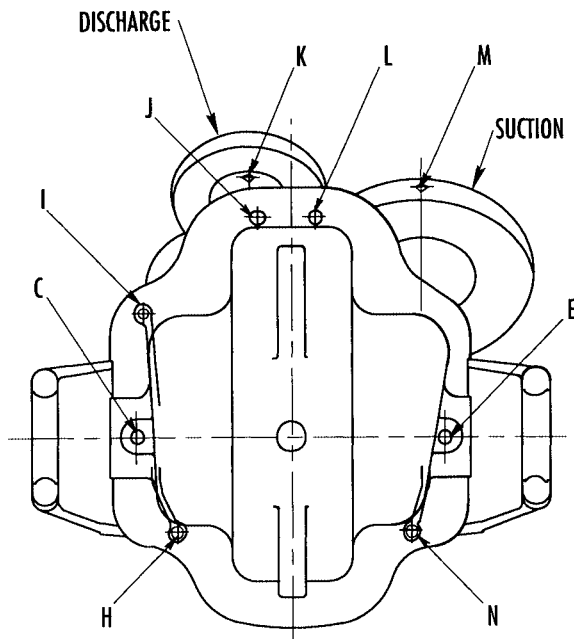


430 SERIES
ENGINEERING DATA
PIPE TAP CONNECTIONS
AND FUNCTION
POWER SERIES 2



| LETTER | PIPE TAP SIZE | DESCRIPTION |
|--------|---------------|---------------------------------------|
| A | 1/2 | PACKING BOX DRAIN |
| B | 1/2 | FIRST STAGE SUCTION CHAMBER DRAIN |
| C | 1/4 | SECOND STAGE SEAL FLUSH |
| D | 1/2 | FIRST STAGE VOLUTE DRAIN |
| E | 1/4 | FIRST STAGE SEAL FLUSH |
| F | 1/2 | SECOND STAGE VOLUTE DRAIN |
| G | 1/2 | SECOND STAGE SUCTION CHAMBER DRAIN |
| H | 1/4 | INLET TO SECOND STAGE PACKING BOX |
| I | 1/4 | OUTLET FROM SECOND STAGE PACKING BOX |
| J | 1/4 | SECOND STAGE VOLUTE VENT (SEE NOTE 1) |
| K | 1/4 | DISCHARGE GAUGE CONNECTION |
| L | 1/4 | FIRST STAGE VOLUTE VENT (SEE NOTE 1) |
| M | 1/4 | SUCTION GAUGE CONNECTION |
| N | 1/4 | INLET TO FIRST STAGE PACKING BOX |

NOTES:

1. CAUTION - LOOSEN VENT PLUGS "J" AND "L" AND ROTATE SHAFT SLOWLY TO VENT AIR.

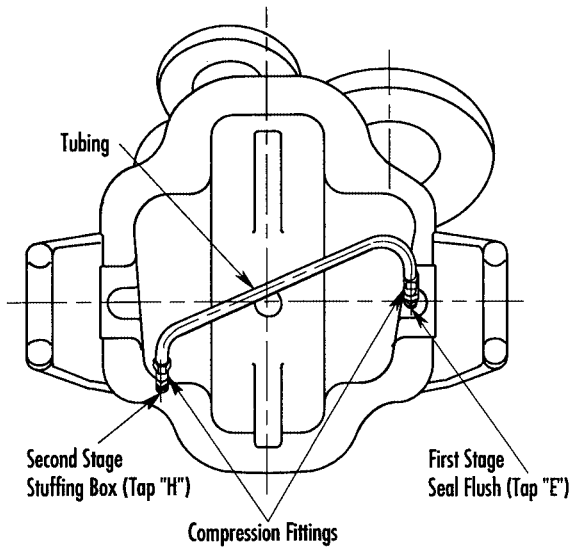
AURORA MODEL 430 PUMPS

ENGINEERING DATA

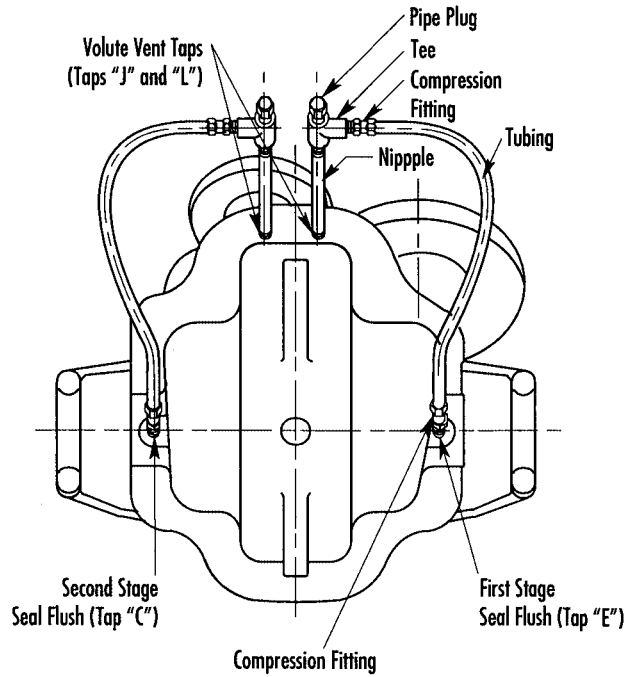
EXTERNAL FLUSH LINE

SCHEMATICS / POWER SERIES 2

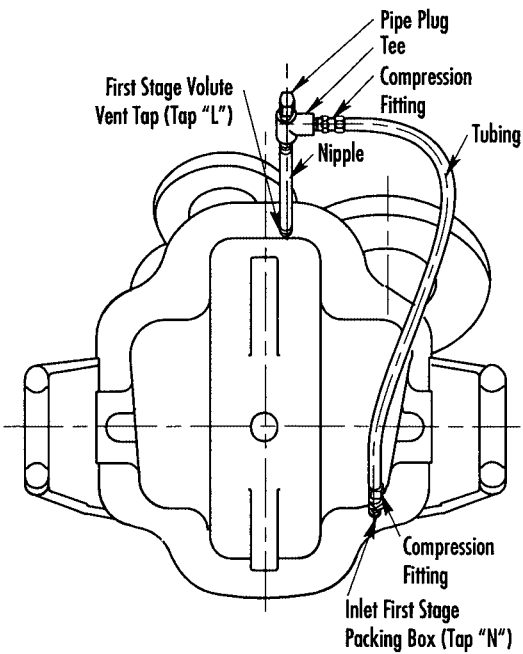
**MECHANICAL SEALS EXTERNAL FLUSH
STANDARD WITH INSIDE SEALS / OPTION 1**



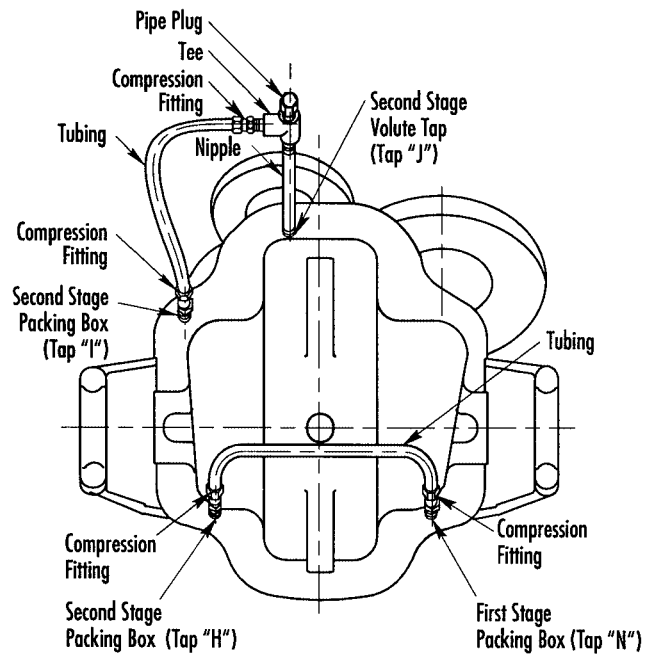
MECHANICAL SEALS EXTERNAL FLUSH / OPTION 16



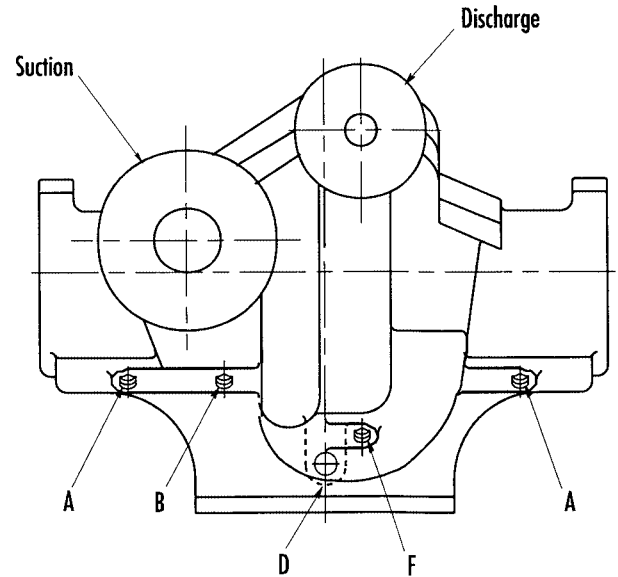
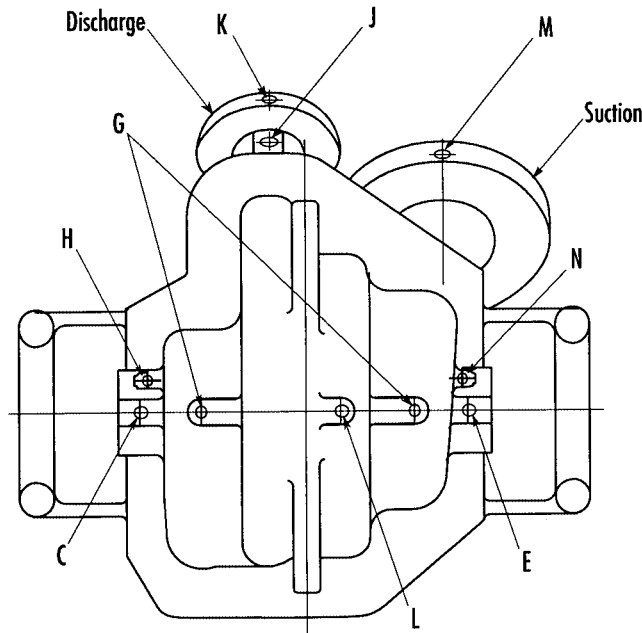
**PACKING WITH LANTERN RING - 1ST STAGE
EXTERNAL WATER SEAL / OPTION 37B**



**PACKING WITH LANTERN RINGS - BOTH STAGES
EXTERNAL WATER SEAL / OPTION 37J**



ENGINEERING DATA
PIPE TAP CONNECTIONS
AND FUNCTION
POWER SERIES 3A



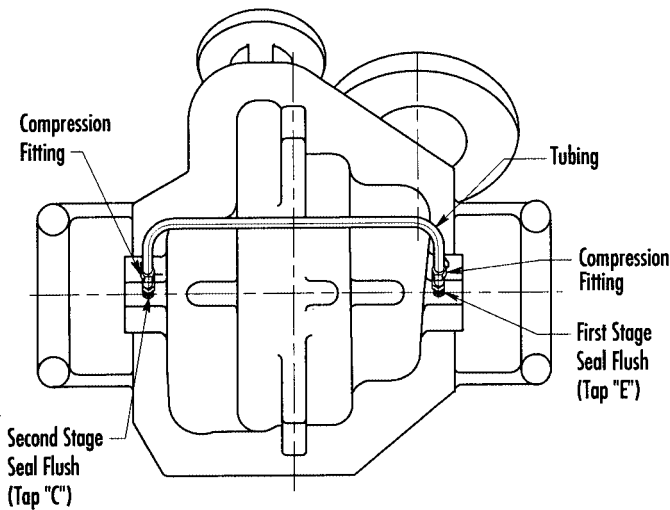
| LETTER | PIPE TAP SIZE | DESCRIPTION |
|--------|---------------|--|
| A | 1/2 | PACKING BOX DRAIN |
| B | 1/2 | FIRST STAGE SUCTION CHAMBER DRAIN |
| C | 1/4 | SECOND STAGE SEAL FLUSH |
| D | 1 | FIRST STAGE VOLUTE DRAIN & SECOND STAGE SUCTION DRAIN (1-1/2x3x11) |
| | 1-1/4 | FIRST STAGE VOLUTE DRAIN & SECOND STAGE SUCTION DRAIN (2x4x11) |
| E | 1/4 | FIRST STAGE SEAL FLUSH |
| F | 1/2 | SECOND STAGE VOLUTE DRAIN |
| G | 1/4 | SUCTION VENT |
| H | 1/4 | INLET TO SECOND STAGE PACKING BOX |
| J | 1/4 | SECOND STAGE VOLUTE VENT (SEE NOTE 1) |
| K | 1/4 | DISCHARGE GAUGE CONNECTION |
| L | 1/4 | FIRST STAGE VOLUTE VENT (SEE NOTE 1) |
| M | 1/4 | SUCTION GAUGE CONNECTION |
| N | 1/4 | INLET TO FIRST STAGE PACKING BOX |

NOTES:
1. CAUTION - LOOSEN VENT PLUGS "J" AND "L" AND ROTATE SHAFT SLOWLY TO VENT AIR.

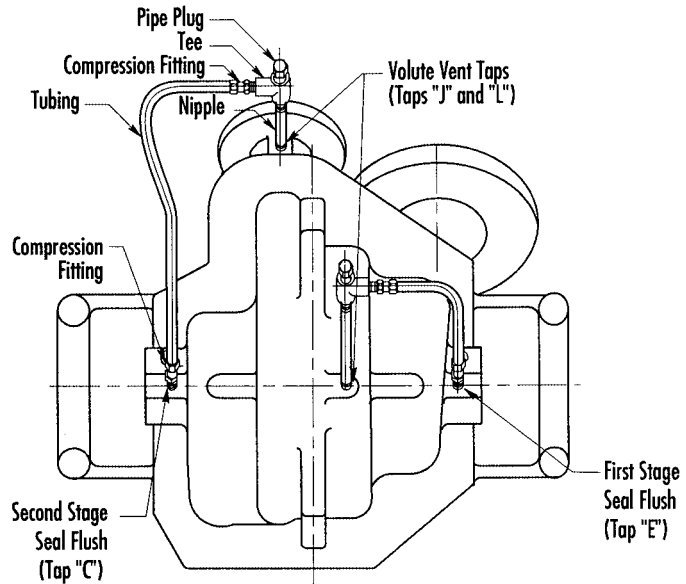
AURORA MODEL 430 PUMPS

ENGINEERING DATA
 EXTERNAL FLUSH LINE
 SCHEMATICS / POWER SERIES 3A

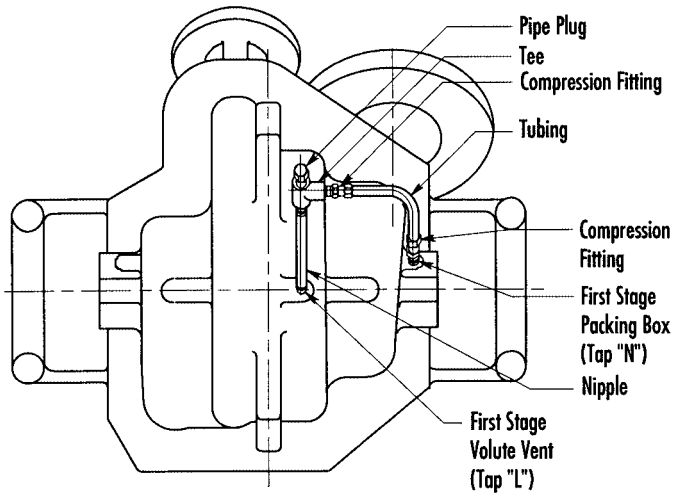
**MECHANICAL SEALS EXTERNAL FLUSH
 STANDARD WITH INSIDE SEALS / OPTION 1**



**MECHANICAL SEALS EXTERNAL FLUSH
 OPTION 16**



**PACKING WITH LANTERN RING – 1ST STAGE
 EXTERNAL WATER SEAL / OPTION 37B**



**PACKING WITH LANTERN RING – BOTH STAGES
 EXTERNAL WATER SEAL / OPTION 37J**

