

RIGHT HAND PUMPS

DISCH.	SUCT.	CASE BORE	B	C	D	E	F	G	H	I	J	K
1-1/2	3	9	9	5-1/4	1-1/2	8	3-1/2	8	26-1/4	11-3/4	11-3/4	2-3/4
2	4	9	9	5-1/4	1	8	3-1/2	8	26-1/4	11-3/4	11-3/4	2-3/4
1-1/2	3	11	11	6-1/2	1-1/2	11	4-3/8	10-1/2	34	14-7/8	14-7/8	4-1/4
2	4	11	11	6-9/16	1-1/2	11	4-3/8	10-1/2	34	14-7/8	14-7/8	4-1/4

DISCH.	SUCT.	CASE BORE	L	M	N	O	P	Q	R	V	W	X	Y
1-1/2	3	9	2-1/2	1/4	1/8	1-1/8	5/8	4	10	1-1/4	5-1/2	9-1/2	8-3/4
2	4	9	2-1/2	1/4	1/8	1-1/8	5/8	4	10	1-3/4	5-1/2	9-1/2	8-3/4
1-1/2	3	11	3	3/8	3/16	1-3/8	5/8	5	12	1-5/8	6-3/8	13-1/8	10
2	4	11	3	3/8	3/16	1-3/8	5/8	5	12	1-5/8	6-3/8	13-1/8	10

NOTES:

- All dimensions in inches.
- Dimensions may vary $\pm 3/8"$.
- Not for construction purposes unless certified.
- Discharge and suction flanges—American Standard flat face.

*L=Length of keyway

K=Length of shaft exposed

STD. 125# SUCTION FLANGES & 250# DISCHARGE FLANGES
OPT. 250# FLANGES

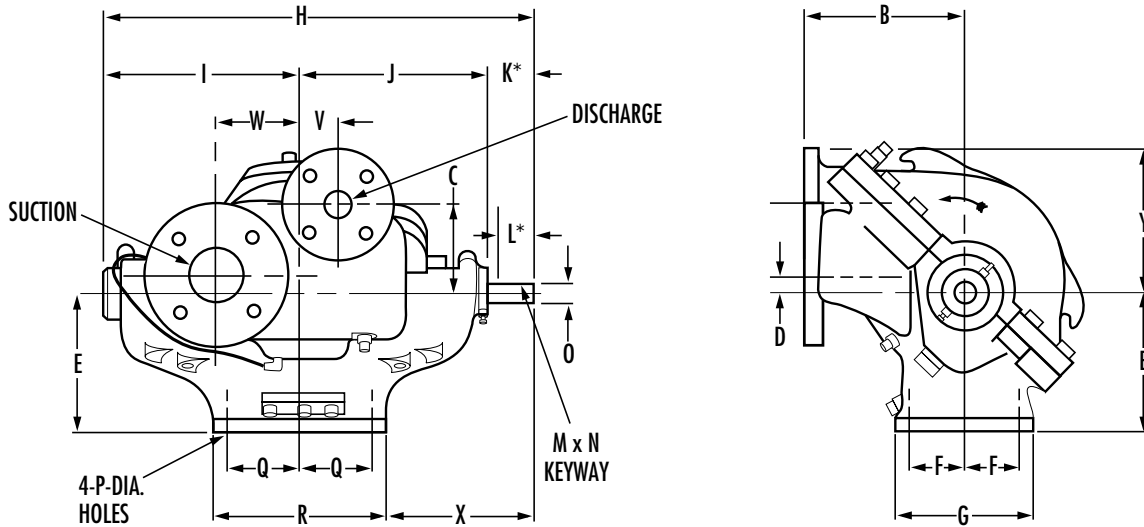
Section **430** Page **202** ■ **AURORA MODEL 431 PUMPS (LH)**

Dated **MAY 2001**

POWER SERIES NO. 2 AND 3A

Supersedes Section 430 Page 202

Dated FEBRUARY 1996



LEFT HAND PUMPS

DISCH.	SUCT.	CASE BORE	B	C	D	E	F	G	H	I	J	K
1-1/2	3	9	9	5-1/4	1-1/2	8	3-1/2	8	26-1/4	11-3/4	11-3/4	2-3/4
2	4	9	9	5-1/4	1	8	3-1/2	8	26-1/4	11-3/4	11-3/4	2-3/4
1-1/2	3	11	11	6-1/2	1-1/2	11	4-3/8	10-1/2	34	14-7/8	14-7/8	4-1/4
2	4	11	11	6-9/16	1-1/2	11	4-3/8	10-1/2	34	14-7/8	14-7/8	4-1/4

DISCH.	SUCT.	CASE BORE	L	M	N	O	P	Q	R	V	W	X	Y
1-1/2	3	9	2-1/2	1/4	1/8	1-1/8	5/8	4	10	1-1/4	5-1/2	9-1/2	8-3/4
2	4	9	2-1/2	1/4	1/8	1-1/8	5/8	4	10	1-3/4	5-1/2	9-1/2	8-3/4
1-1/2	3	11	3	3/8	3/16	1-3/8	5/8	5	12	1-5/8	6-3/8	13-1/8	10
2	4	11	3	3/8	3/16	1-3/8	5/8	5	12	1-5/8	6-3/8	13-1/8	10

NOTES:

1. All dimensions in inches.
2. Dimensions may vary $\pm 3/8"$.
3. Not for construction purposes unless certified.
4. Discharge and suction flanges—American Standard flat face.

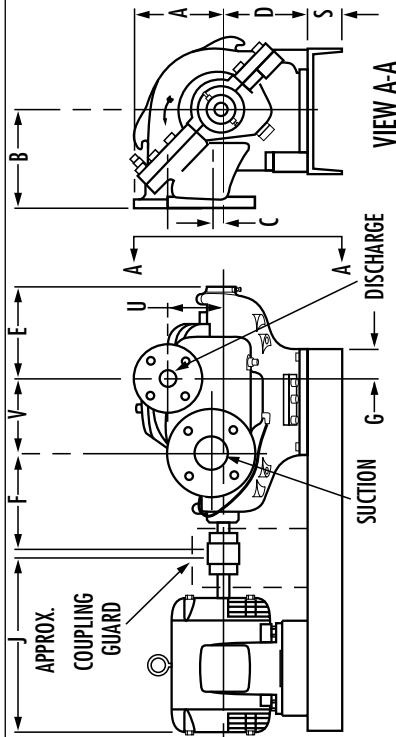
*L=Length of keyway
K=Length of shaft exposed

<input type="checkbox"/>	STD. 125# SUCTION FLANGES & 250# DISCHARGE FLANGES
<input type="checkbox"/>	OPT. 250# FLANGES

AURORA MODEL 431 PUMPS (RH)

ON STEEL BASE

POWER SERIES NO. 2 AND 3A



STD. 125# SUCTION FLANGES & 250# DISCHARGE FLANGES
OPT. 250# FLANGES

NOTES:

1. All dimensions in inches.
2. Dimensions may vary $\pm 3/8"$.
3. Not for construction purposes unless certified.
4. Coupling gap may vary $1/8"$ to $1"$.
5. Discharge and suction flanges—American Standard flat face.
6. Conduit box is shown in approximate location. Dimensions are not specified as they vary with each motor manufacturer.

RIGHT HAND PUMPS

BASE	12x34	13x38	15x40	15x44	15x48	15x54	18x48	18x50	18x54	22x60
K	12	13	15	15	15	15	18	18	18	22
L	9	10	12	12	12	12	15	15	15	19
S	3	4	4	3-3/8	3-3/8	4	4	4	4	4
T	34	38	40	44	48	54	48	50	54	60
W	20	1	1	1	1	1	1	1	1	1
X	1/2	5/8	5/8	5/8	5/8	5/8	5/8	5/8	5/8	5/8

DISCH. SUCT.	CASE BORE	A	B	C	E	F	G	U	V	MOTOR FRAME	143T	145T	182T	184T	213T	215T	254T	256T
1-1/2	9	8-3/4	9	1-1/2	10-1/2	9	3-3/4	5-1/4	6-3/4	BASE	12x34	12x34	12x34	13x38	13x38	15x44	15x44	15x44
2	9	8-3/4	9	1	10	9	3-1/4	5-1/4	7-1/4	BASE	12x34	12x34	12x34	13x38	13x38	15x44	15x44	15x44
1-1/2	11	10	11	1-1/2	13-1/2	12-3/4	4-3/8	6-1/2	8	BASE	-	-	15x40	15x40	15x44	15x48	15x48	15x48
2	11	10	11	1-1/2	13-1/2	12-3/4	4-3/8	6-9/16	8	BASE	-	-	15x40	15x40	15x44	15x48	15x48	15x48
										D	-	-	11	11	11	11	11	11

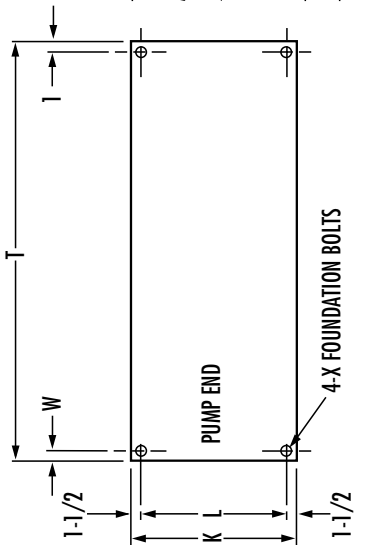
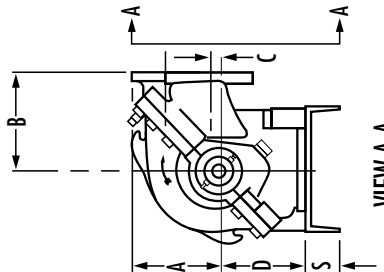
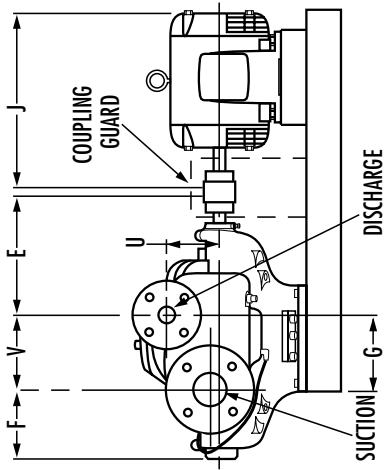
DISCH. SUCT.	CASE BORE	A	B	C	E	F	G	U	V	MOTOR FRAME	284TS	284T	286TS	324TS	326TS	364TS	365TS	404TS	405TS
1-1/2	9	8-3/4	9	1-1/2	10-1/2	9	3-3/4	5-1/4	6-3/4	BASE	15x44	15x44	18x48	18x48	18x48	18x48	18x48	22x60	22x60
2	9	8-3/4	9	1	10	9	3-1/4	5-1/4	7-1/4	D	8	8	8	8	8	8	8	8	8
1-1/2	11	10	11	1-1/2	13-1/2	12-3/4	4-3/8	6-1/2	8	BASE	15x48	15x54	18x50	18x54	18x54	18x54	18x54	22x60	22x60
2	11	10	11	1-1/2	13-1/2	12-3/4	4-3/8	6-9/16	8	D	11	11	11	11	11	11	11	11	11

AURORA MODEL 431 PUMPS (LH)

ON STEEL BASE

POWER SERIES NO. 2 AND 3A

STD. 125# SUCTION FLANGES & 250# DISCHARGE FLANGES
OPT. 250# FLANGES



LEFT HAND PUMPS

NOTES:

1. All dimensions in inches.
2. Dimensions may vary $\pm 3/8"$.
3. Not for construction purposes unless certified.
4. Coupling gap may vary $1/8"$ to $1"$.
5. Discharge and suction flanges—American Standard flat face.
6. Conduit box is located on the opposite side of the motor shown. Dimensions are not specified as they vary with each motor manufacturer.

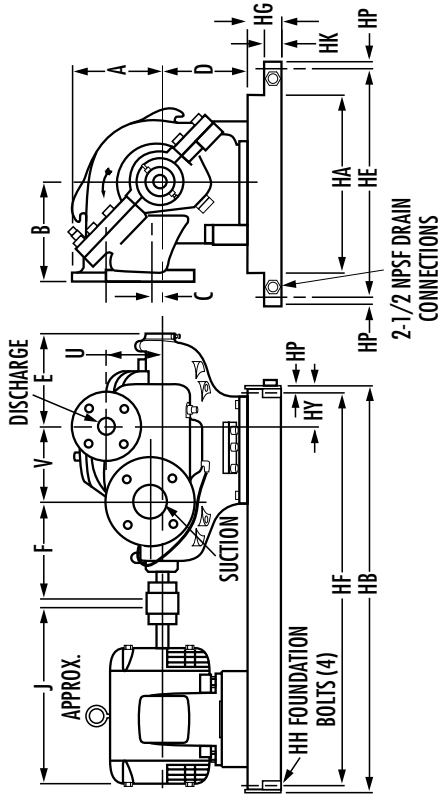
BASE	12x34	13x38	15x40	15x44	15x48	15x54	18x48	18x50	18x54	22x60
K	12	13	15	15	15	15	18	18	18	22
L	9	10	12	12	12	12	15	15	15	19
S	3	4	4	3-3/8	3-3/8	3-3/8	4	4	4	4
T	34	38	40	44	48	54	48	50	54	60
W	20	1	1	1	1	1	1	1	1	1
X	1/2	5/8	5/8	5/8	5/8	5/8	5/8	5/8	5/8	5/8

DISCH. SUCT.	CASE BORE	MOTOR FRAME															
		A	B	C	E	F	G	U	V	143T	145T	182T	184T	213T	215T	254T	256T
1-1/2	9	8-3/4	9	1-1/2	13-1/4	6-1/4	6-1/4	5-1/4	6-3/4	12x34	12x34	12x34	12x34	13x38	13x38	15x44	15x44
2	9	8-3/4	9	1	12-3/4	6-1/4	6-3/4	5-1/4	7-1/4	12x34	12x34	12x34	12x34	13x38	13x38	15x44	15x44
1-1/2	11	10	11	1-1/2	17-1/2	8-1/2	7-5/8	6-1/2	8	BASE	BASE	BASE	BASE	15x40	15x40	15x48	15x48
2	11	10	11	1-1/2	17-1/2	8-1/2	7-5/8	6-9/16	8	BASE	BASE	BASE	BASE	15x40	15x40	15x48	15x48

DISCH. SUCT.	CASE BORE	MOTOR FRAME															
		A	B	C	E	F	G	U	V	284TS	286TS	324TS	326TS	364TS	365TS	404TS	405TS
1-1/2	9	8-3/4	9	1-1/2	13-1/4	6-1/4	6-1/4	5-1/4	6-3/4	15x44	15x44	18x48	18x48	18x48	18x48	22x60	22x60
2	9	8-3/4	9	1	12-3/4	6-1/4	6-3/4	5-1/4	7-1/4	BASE	BASE	BASE	BASE	BASE	BASE	BASE	BASE
1-1/2	11	10	11	1-1/2	17-1/2	8-1/2	7-5/8	6-1/2	8	15x48	15x54	18x54	18x54	18x54	18x54	22x60	22x60
2	11	10	11	1-1/2	17-1/2	8-1/2	7-5/8	6-9/16	8	BASE	BASE	BASE	BASE	BASE	BASE	BASE	BASE

AURORA MODEL 431 PUMPS (RH)

ON STEEL DRIP RIM BASE POWER SERIES NO. 2 AND 3A



RIGHT HAND PUMPS

STD. 125# SUCTION FLANGES & 250# DISCHARGE FLANGES
OPT. 250# FLANGES

NOTES:

- All dimensions in inches.
- Dimensions may vary $\pm 3/8"$.
- Not for construction purposes unless certified.
- Coupling gap may vary $1/8"$ to $1"$.
- Discharge and suction flanges--American Standard flat face.
- Conduit box is located on the opposite side of the motor shown. Dimensions are not specified as they vary with each motor manufacturer.
- 3 grout holes are provided in top of base.

BASE SIZE	HA	HB	HE	HF	HG	HH	HK	HP
3	9	33-1/2	13-3/4	32-1/4	3	3/8	1-1/2	5/8
5	11x36	36-1/2	15-7/8	35-1/8	3	1/2	1-1/2	11/16
6	11x42	42-1/2	15-7/8	41-1/8	3	1/2	1-1/2	11/16
8	14x42	42-1/2	19	41	3	5/8	1-1/2	3/4
9	14x48	48-1/2	19	47	3	5/8	1-1/2	3/4
11	18x46	46-1/2	25-1/8	44-7/8	4	3/4	2	13/16
12	18x54	54-1/2	25-1/8	52-7/8	4	3/4	2	13/16
15	22x54	54-1/2	29-1/8	52-7/8	4-1/2	3/4	2	13/16
16	22x64	64-1/2	29-1/8	62-7/8	4-1/2	3/4	2	13/16

DISCH. SUCT.	CASE BORE	A	B	C	E	F	HY	U	V	MOTOR FRAME									
										143T	145T	182T	184T	213T	215T	254T	256T		
1-1/2	9	8-3/4	9	1-1/2	10-1/2	9	4-1/4	5-1/4	6-3/4	J	12	13	13	14	16	18	21	23	
2	9	8-3/4	9	1	10	9	3-3/4	5-1/4	7-1/4	BASE	3	3	3	3	5	6	8	8	
1-1/2	11	10	11	1-1/2	13-1/2	12-3/4	4-7/8	6-1/2	8	D	8	8	8	8	8	8	8	8	
2	11	10	11	1-1/2	13-1/2	12-3/4	4-7/8	6-9/16	8	BASE	-	-	6	6	6	6	9	9	
										D	-	-	11	11	11	11	11	11	
										D	-	-	11	11	11	11	11	11	

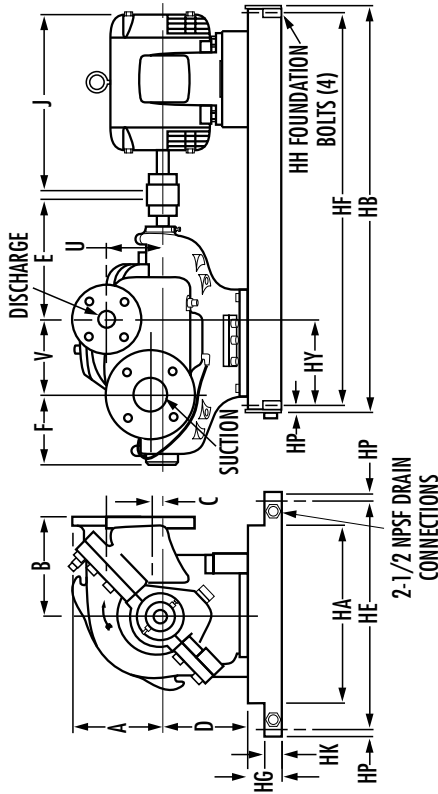
DISCH. SUCT.	CASE BORE	A	B	C	E	F	HY	U	V	MOTOR FRAME									
										284TS	284T	286TS	324TS	326TS	364TS	365TS	404TS	405TS	
1-1/2	9	8-3/4	9	1-1/2	10-1/2	9	4-1/4	5-1/4	6-3/4	J	22	24	24	25	26	27	28	30	31
2	9	8-3/4	9	1	10	9	3-3/4	5-1/4	7-1/4	BASE	8	9	9	11	11	11	-	-	-
1-1/2	11	10	11	1-1/2	13-1/2	12-3/4	4-7/8	6-1/2	8	BASE	8	9	9	11	11	11	-	-	-
2	11	10	11	1-1/2	13-1/2	12-3/4	4-7/8	6-9/16	8	D	8	8	8	8	8	9	-	-	-
										BASE	9	9	9	12	12	12	12	15	16
										D	11	11	11	11	11	11	11	11	11
										BASE	9	9	9	12	12	12	12	15	16
										D	11	11	11	11	11	11	11	11	11

Dated **MAY 2001**

ON STEEL DRIP RIM BASE

Supersedes Section 430 Page 302
Dated OCTOBER 1994

POWER SERIES NO. 2 AND 3A



LEFT HAND PUMPS

STD. 125# SUCTION FLANGES & 250# DISCHARGE FLANGES	
OPT. 250# FLANGES	

- NOTES:**
- All dimensions in inches.
 - Dimensions may vary $\pm 3/8"$.
 - Not for construction purposes unless certified.
 - Coupling gap may vary $1/8"$ to $1"$.
 - Discharge and suction flanges – American Standard flat face.
 - Conduit box is located on the opposite side of the motor shown. Dimensions are not specified as they vary with each motor manufacturer.
 - 3 grout holes are provided in top of base.

BASE SIZE	HA	HB	HE	HF	HG	HH	HK	HP
3	9	33-1/2	13-3/4	32-1/4	3	3/8	1-1/2	5/8
5	11x36	11	36-1/2	35-1/8	3	1/2	1-1/2	11/16
6	11x42	11	42-1/2	41-1/8	3	1/2	1-1/2	11/16
8	14x42	14	42-1/2	41	3	5/8	1-1/2	3/4
9	14x48	14	48-1/2	47	3	5/8	1-1/2	3/4
11	18x46	18	46-1/2	44-7/8	4	3/4	2	13/16
12	18x54	18	54-1/2	52-7/8	4	3/4	2	13/16
15	22x54	22	54-1/2	52-7/8	4-1/2	3/4	2	13/16
16	22x64	22	64-1/2	62-7/8	4-1/2	3/4	2	13/16

DISCH. SUCT.	CASE BORE	A	B	C	E	F	HY	U	V	MOTOR FRAME										
										143T	145T	182T	184T	213T	215T	254T	256T			
1-1/2	9	8-3/4	9	1-1/2	13-1/4	6-1/4	5-3/4	5-1/4	6-3/4	J	12	13	13	14	16	18	21	23		
2	9	8-3/4	9	1	12-3/4	6-1/4	6-1/4	5-1/4	7-1/4	BASE	3	3	3	3	5	6	8	8		
1-1/2	11	10	11	1-1/2	17-1/2	8-1/2	7-1/8	6-1/2	8	D	8	8	8	8	8	8	8	8		
2	11	10	11	1-1/2	17-1/2	8-1/2	7-1/8	6-9/16	8	BASE	-	-	6	6	6	6	6	9		
										D	-	-	11	11	11	11	11	11		

DISCH. SUCT.	CASE BORE	A	B	C	E	F	HY	U	V	MOTOR FRAME										
										284TS	284T	286TS	324TS	326TS	364TS	365TS	404TS	405TS		
1-1/2	9	8-3/4	9	1-1/2	13-1/4	6-1/4	5-3/4	5-1/4	6-3/4	J	22	24	24	25	26	27	28	30	31	
2	9	8-3/4	9	1	12-3/4	6-1/4	6-1/4	5-1/4	7-1/4	BASE	8	8	8	8	8	9	9	9	9	
1-1/2	11	10	11	1-1/2	17-1/2	8-1/2	7-1/8	6-1/2	8	D	8	8	8	8	8	8	8	8	8	
2	11	10	11	1-1/2	17-1/2	8-1/2	7-1/8	6-9/16	8	BASE	9	9	9	9	9	9	9	9	9	
										D	11	11	11	11	11	11	11	11	11	