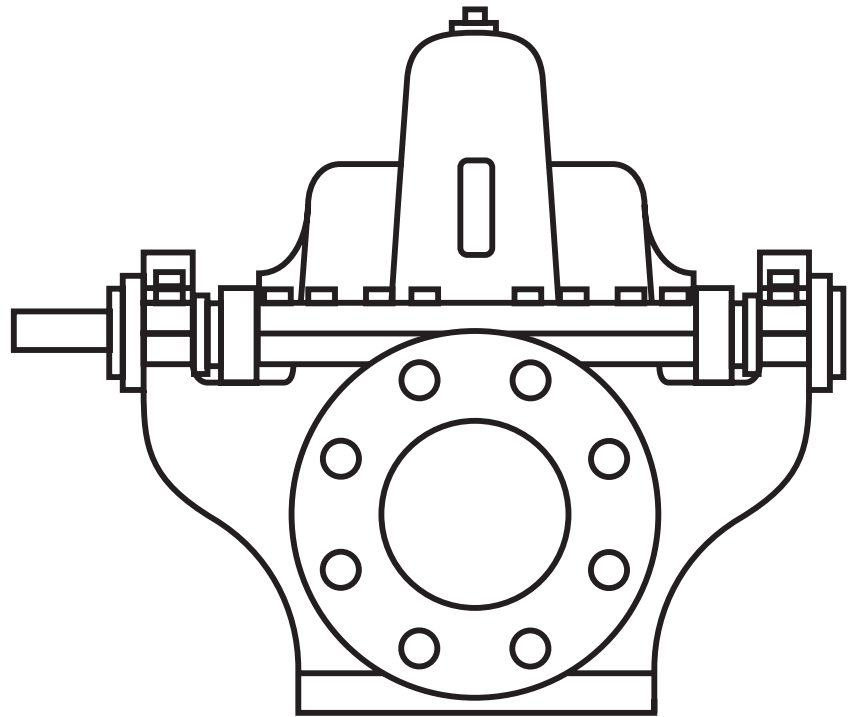




AURORA[®]



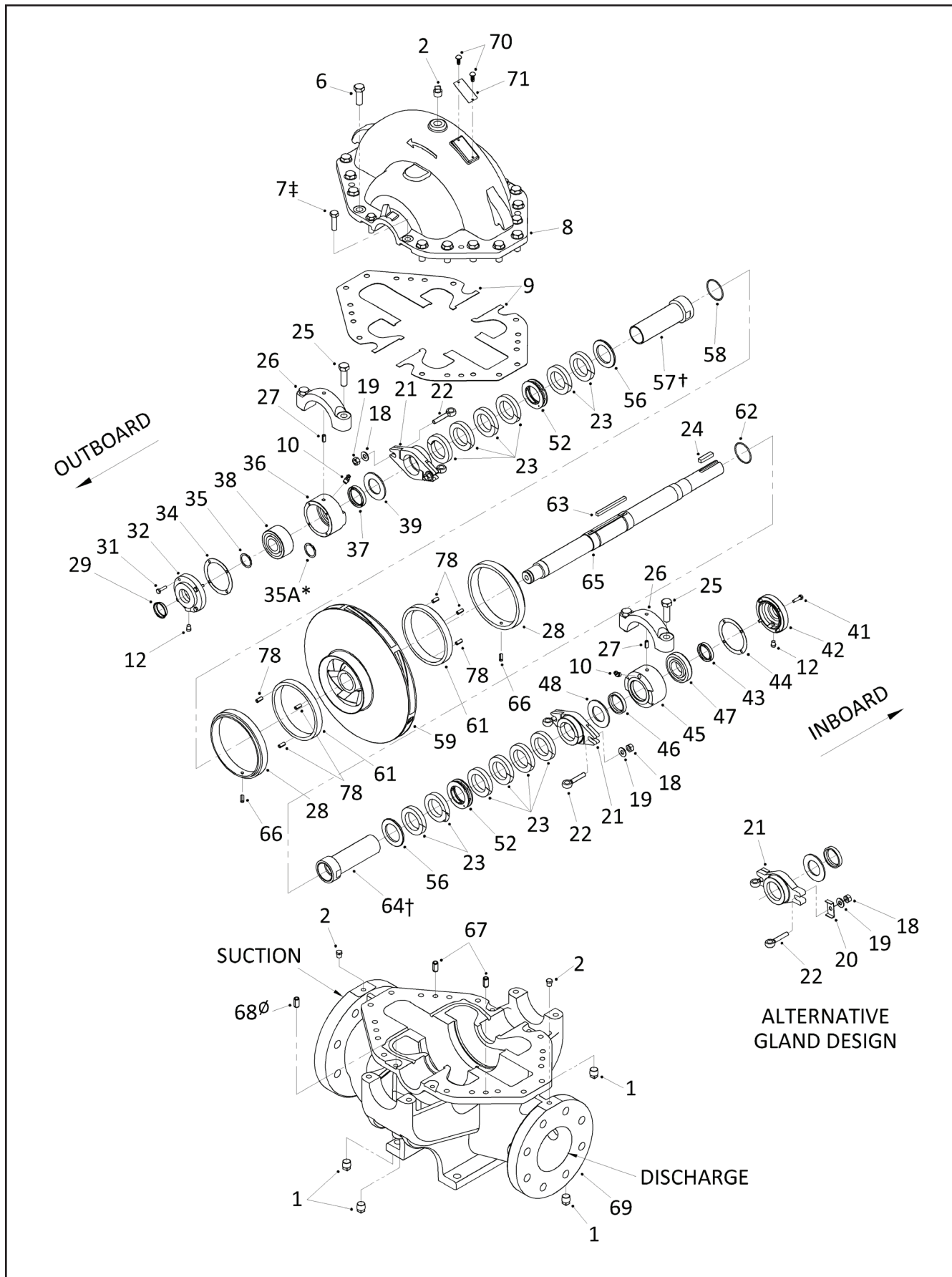
480 MODELS

VERTICAL AND HORIZONTAL SPLIT CASE FIRE PUMPS

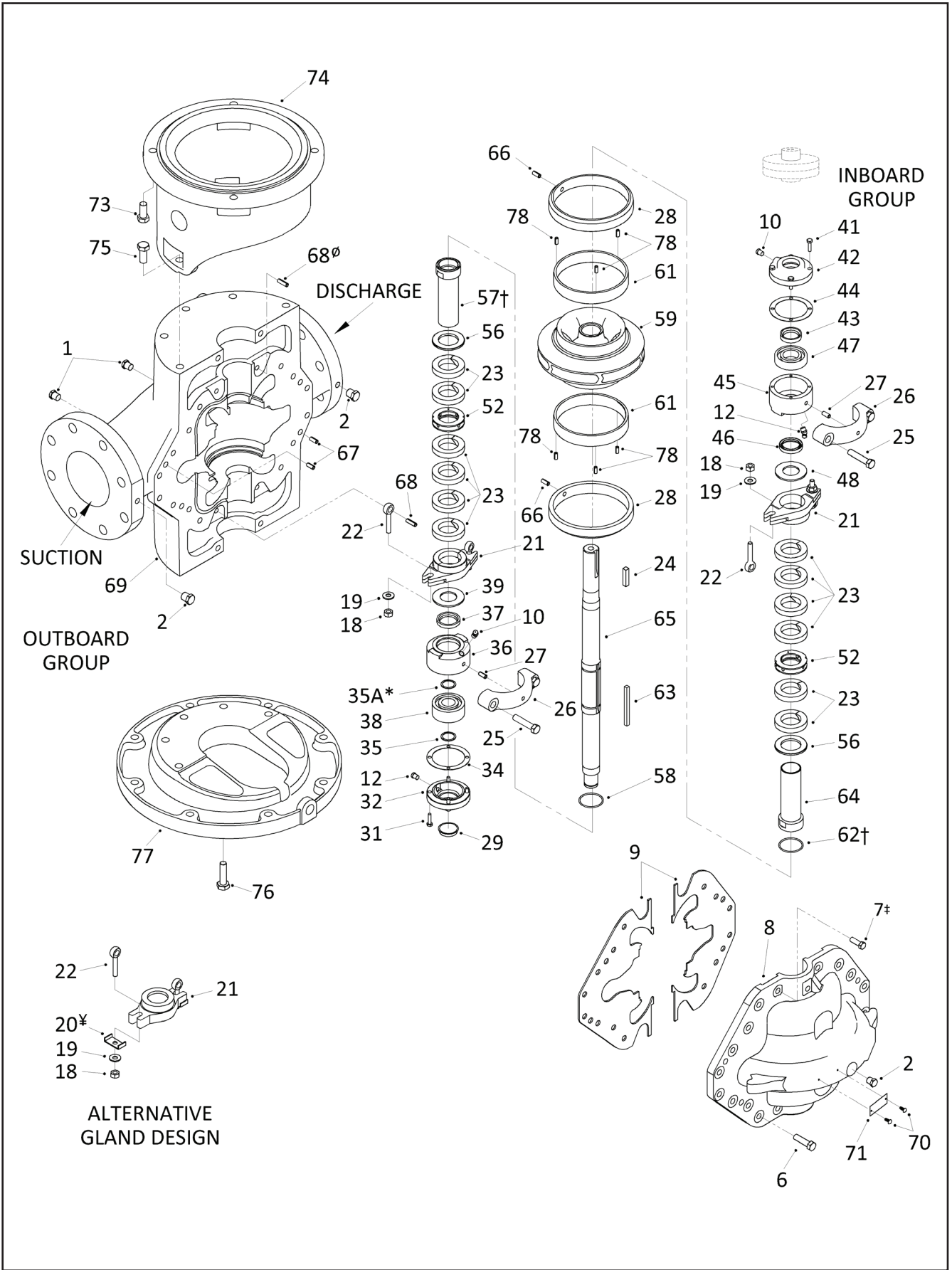
REPAIR PARTS INDEX

NOTE! Read and understand the pump and driver instructions before attempting to install, disassemble or repair the pump.

MODEL 481
PIECE NUMBERS

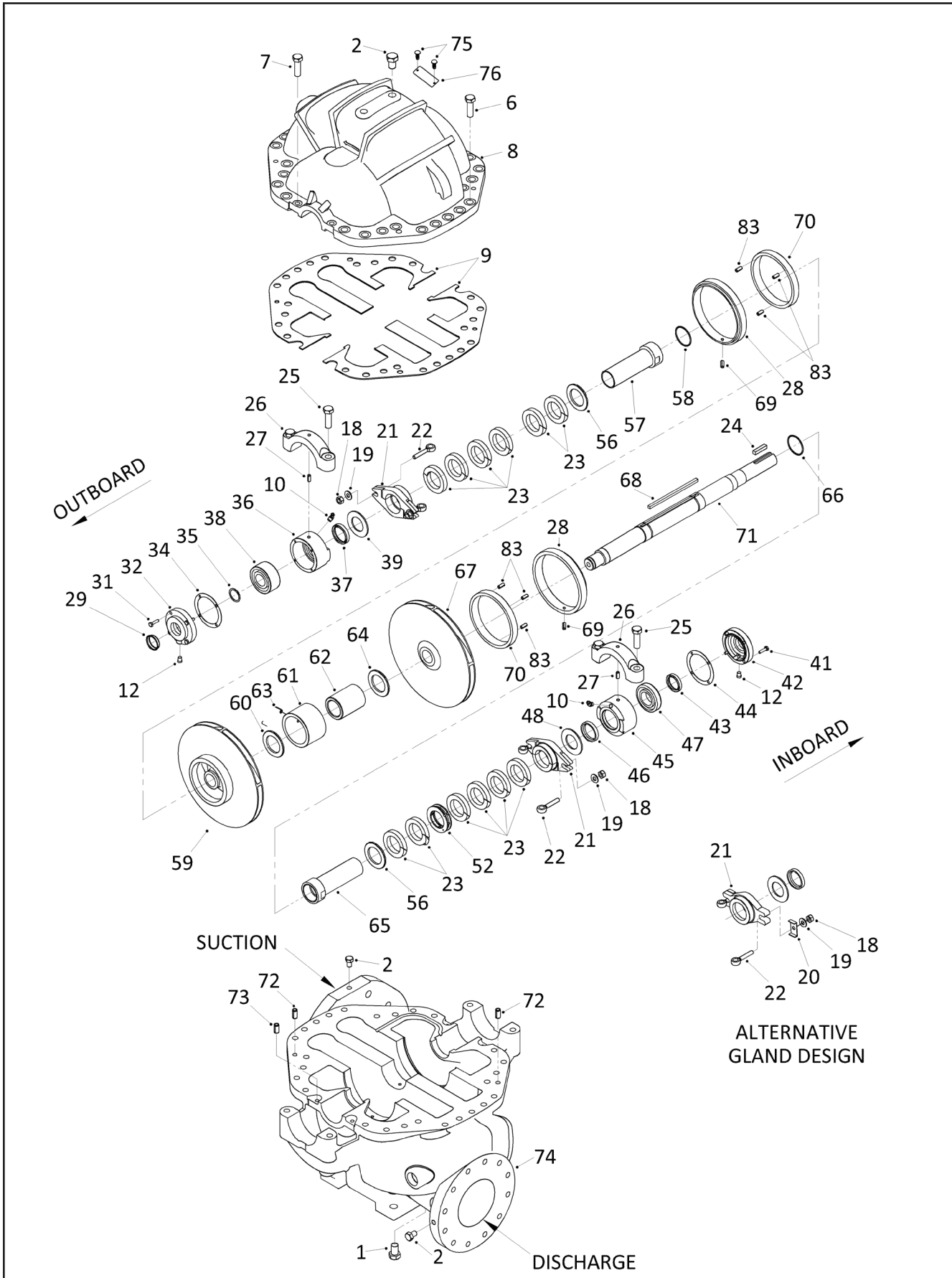


**MODEL 483
PIECE NUMBERS**



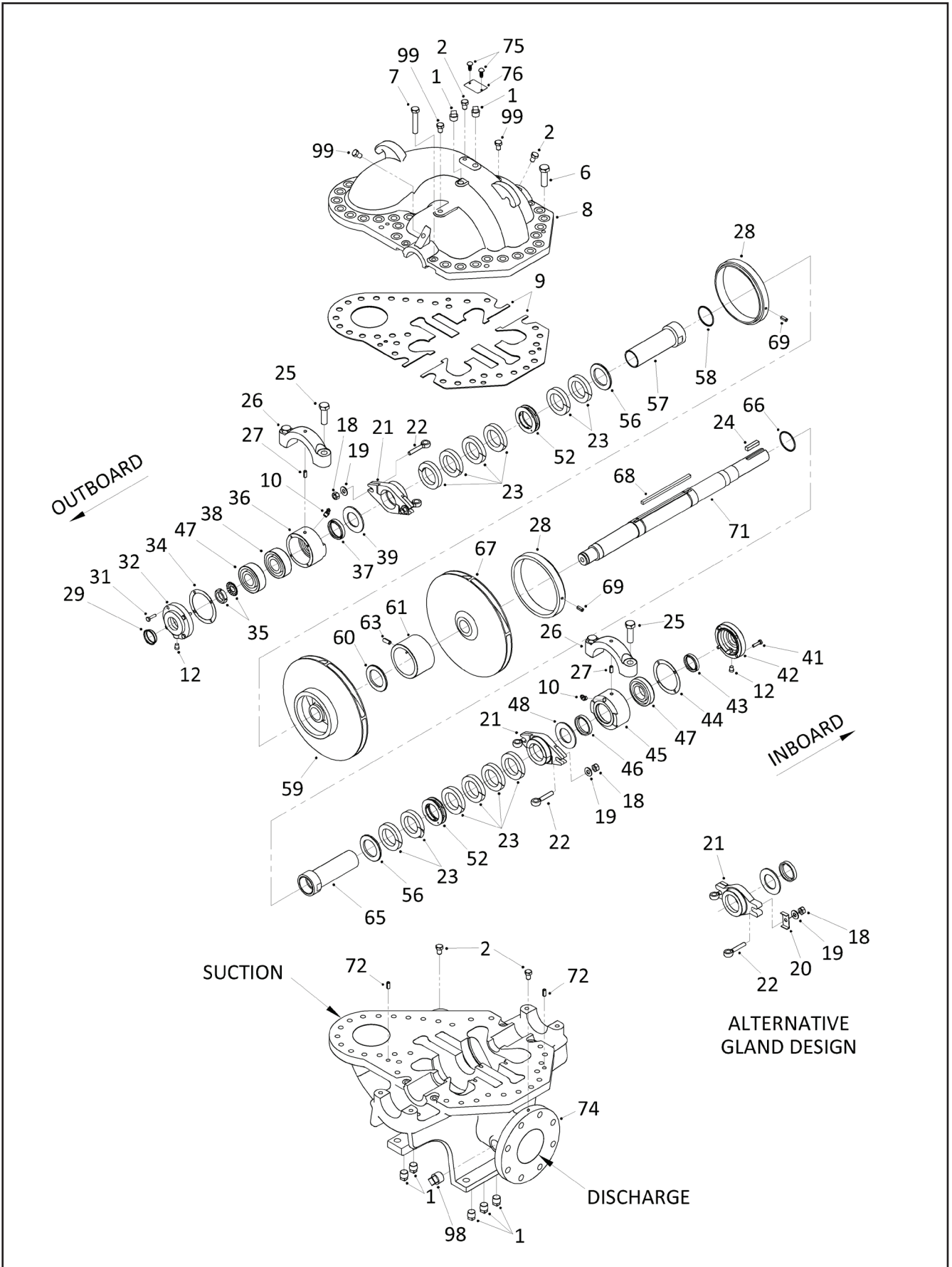
MODEL 485*
PIECE NUMBERS

*Use for all 485 series except 5-485-12 and 6-485-12



MODEL 485**
PIECE NUMBERS

**Use for 5-485-12 & 6-485-12



AURORA® 480 MODELS
MODEL 481

PARTS LIST

| POWER SERIES | | | | 2 | | 3 | | | |
|--------------|------------------|-------------|------|--------------|--------------|--------------|--------------|--------------|--------------|
| ITEM NUMBER | COMPONENT TYPE | OTHER | QTY. | 2.5-481-10B | 3-481-10 | 4-481-11A | 4-481-11C | 4-481-11D | 4-481-15 |
| 8 & 69 | Casing Assy | 125# x 125# | 1 | 179-2296-010 | 179-1584-010 | 179-1585-010 | 179-1585-010 | 179-2515-010 | 179-1586-010 |
| 8 & 69 | Casing Assy | 125# x 250# | 1 | 179-2349-010 | 179-2105-010 | 179-2107-010 | 179-2107-010 | 179-2516-010 | 179-2111-010 |
| 8 & 69 | Casing Assy | 250# x 250# | 1 | 179-2304-010 | 179-1619-010 | 179-1620-010 | 179-1620-010 | 179-2517-010 | 179-1621-010 |
| 59 | Impeller | | 1 | 443-2295-225 | 443-2266-225 | 443-2112-208 | 443-0147-208 | 443-2984-225 | 443-2115-208 |
| 65 | Shaft | | 1 | 728-0946-063 | 728-0946-063 | 728-0947-063 | 728-0947-063 | 728-0947-063 | 728-0947-063 |
| 65 | Shaft (optional) | | 1 | 728-0946-109 | 728-0946-109 | 728-0947-109 | 728-0947-109 | 728-0947-109 | 728-0947-109 |
| 64 | Shaft Sleeve | | 2 | 756-0642-644 | 756-0642-644 | 756-0643-644 | 756-0643-644 | 756-0643-644 | 756-0643-644 |
| 66 | Case Wear Ring | | 2 | 676-1745-208 | 676-1746-208 | 676-1720-208 | 676-1747-208 | 676-2136-208 | 676-1747-208 |
| 9 | Casing Gasket | | 1 | 364-1263-598 | 364-1265-598 | 364-0099-598 | 364-0099-598 | 364-2165-598 | 364-1268-598 |
| 21 | Gland | | 2 | 372-0602-104 | 372-0602-104 | 372-0603-104 | 372-0603-104 | 372-0608-104 | 372-0603-104 |
| 38 | Bearing | | 1 | 068-0454-647 | 068-0454-647 | 068-0455-647 | 068-0455-647 | 068-0455-647 | 068-0455-647 |
| 47 | Bearing | | 1 | 068-1907-647 | 068-1907-647 | 068-1908-647 | 068-1908-647 | 068-1908-647 | 068-1908-647 |
| 52 | Lantern Ring* | | 2 | 676-1698-512 | 676-1698-512 | 676-1699-512 | 676-1699-512 | 676-1699-512 | 676-1699-512 |
| 23 | Packing | | | 564-0151-802 | 564-0151-802 | 564-0175-816 | 564-0175-816 | 564-0175-816 | 564-0175-816 |
| | Qty Required* | | | 12 | 12 | 10 | 10 | 10 | 10 |
| | Repair Kit | | | 476-0630-644 | 476-0630-644 | 476-0631-644 | 476-0631-644 | 476-0631-644 | 476-0631-644 |
| | Overhaul Kit | | | 476-0451-483 | 476-0451-483 | 476-0451-483 | 476-0372-483 | 476-1095-483 | 476-0372-483 |
| | Rotating Assy | | | 700-0084-483 | 700-0006-483 | 700-0009-483 | 700-0023-483 | 700-0742-483 | 700-0012-483 |

| POWER SERIES | | | | 4 | | | | | |
|--------------|------------------|-------------|------|--------------|--------------|--------------|--------------|--------------|--------------|
| ITEM NUMBER | COMPONENT TYPE | OTHER | QTY. | 5-481-11B | 5-481-11C | 5-481-11D | 5-481-15 | 5-481-15A | 5-481-17 |
| 8 & 69 | Casing Assy | 125# x 125# | 1 | 179-1588-010 | 179-1588-010 | 179-1587-010 | 179-1590-055 | 179-1590-055 | 179-1591-010 |
| 8 & 69 | Casing Assy | 125# x 250# | 1 | 179-2248-010 | 179-2248-010 | 179-2250-010 | 179-2113-055 | 179-2113-055 | 179-2115-010 |
| 8 & 69 | Casing Assy | 250# x 250# | 1 | 179-1623-010 | 179-1623-010 | 179-1622-010 | 179-1625-055 | 179-1625-055 | 179-1626-010 |
| 59 | Impeller | | 1 | 443-0656-208 | 443-2300-225 | 443-2122-208 | 443-2117-208 | 443-3323-104 | 443-2118-225 |
| 65 | Shaft | | 1 | 728-0948-063 | 728-0948-063 | 728-0948-063 | 728-0948-063 | 728-0948-063 | 728-0948-063 |
| 65 | Shaft (optional) | | 1 | 728-0948-109 | 728-0948-109 | 728-0948-109 | 728-0948-109 | 728-0948-109 | 728-0948-109 |
| 64 | Shaft Sleeve | | 2 | 756-0644-644 | 756-0644-644 | 756-0644-644 | 756-0644-644 | 756-0644-644 | 756-0644-644 |
| 66 | Case Wear Ring | | 2 | 676-1748-208 | 676-1748-208 | 676-1721-208 | 676-1748-208 | 676-1748-208 | 676-1748-208 |
| 9 | Casing Gasket | | 1 | 364-0809-598 | 364-0809-598 | 364-1269-598 | 364-1270-598 | 364-1270-598 | 364-1270-598 |
| 21 | Gland | | 2 | 372-0604-104 | 372-0604-104 | 372-0604-104 | 372-0604-104 | 372-0604-104 | 372-0604-104 |
| 38 | Bearing | | 1 | 068-0456-647 | 068-0456-647 | 068-0456-647 | 068-0456-647 | 068-0456-647 | 068-0456-647 |
| 47 | Bearing | | 1 | 068-0359-647 | 068-0359-647 | 068-0359-647 | 068-1909-647 | 068-1909-647 | 068-1909-647 |
| 52 | Lantern Ring* | | 2 | 676-1700-512 | 676-1700-512 | 676-1700-512 | 676-1700-512 | 676-1700-512 | 676-1700-512 |
| 23 | Packing | | | 564-0176-816 | 564-0176-816 | 564-0176-816 | 564-0176-816 | 564-0176-816 | 564-0176-816 |
| | Qty Required* | | | 12 | 12 | 12 | 12 | 12 | 12 |
| | Repair Kit | | | 476-0632-644 | 476-0632-644 | 476-0632-644 | 476-0632-644 | 476-0632-644 | 476-0632-644 |
| | Overhaul Kit | | | 476-0373-483 | 476-0373-483 | 476-0373-483 | 476-0373-483 | 476-0373-483 | 476-0373-483 |
| | Rotating Assy | | | 700-0101-483 | 700-0484-483 | 700-0496-483 | 700-0014-483 | 700-0261-483 | 700-0015-483 |

| POWER SERIES | | | | 4 | 4A | 5 | | | |
|--------------|------------------|-------------|------|--------------|--------------|--------------|--------------|--------------|--------------|
| ITEM NUMBER | COMPONENT TYPE | OTHER | QTY. | 6-481-11 | 6-481-11HH | 6-481-15 | 6-481-15B | 6-481-15C | 6-481-18B |
| 8 & 69 | Casing Assy | 125# x 125# | 1 | 179-1592-010 | | 179-1593-010 | 179-1593-010 | 179-1593-010 | 179-1594-010 |
| 8 & 69 | Casing Assy | 125# x 250# | 1 | 179-2117-010 | 179-2506-055 | 179-2119-010 | 179-2119-010 | 179-2119-010 | 179-2253-010 |
| 8 & 69 | Casing Assy | 250# x 250# | 1 | 179-1627-010 | 179-2507-055 | 179-1628-010 | 179-1628-010 | 179-1628-010 | 179-1629-010 |
| 59 | Impeller | | 1 | 443-2116-208 | 443-2990-208 | 443-2119-225 | 443-0649-208 | 443-2983-225 | 443-0658-225 |
| 65 | Shaft | | 1 | 728-0948-063 | 728-7304-063 | 728-0949-063 | 728-0949-063 | 728-0949-063 | 728-0949-063 |
| 65 | Shaft (optional) | | 1 | 728-0948-109 | 728-7304-109 | 728-0949-109 | 728-0949-109 | 728-0949-109 | 728-0949-109 |
| 64 | Shaft Sleeve | | 2 | 756-0644-644 | 756-0828-644 | 756-0645-644 | 756-0645-644 | 756-0645-644 | 756-0645-644 |
| 66 | Case Wear Ring | | 2 | 676-1748-208 | 676-2138-208 | 676-1750-208 | 676-1750-208 | 676-1750-208 | 676-1989-208 |
| 9 | Casing Gasket | | 1 | 364-1271-598 | 364-2166-598 | 364-1272-598 | 364-1272-598 | 364-1272-598 | 364-0802-598 |
| 21 | Gland | | 2 | 372-0604-104 | 372-0604-104 | 372-0605-104 | 372-0605-104 | 372-0605-104 | 372-0605-104 |
| 38 | Bearing | | 1 | 068-0456-647 | 068-0456-647 | 068-0458-647 | 068-0458-647 | 068-0458-647 | 068-0458-647 |
| 47 | Bearing | | 1 | 068-1909-647 | 068-1909-647 | 068-0160-647 | 068-0160-647 | 068-0160-647 | 068-0160-647 |
| 52 | Lantern Ring* | | 2 | 676-1700-512 | 676-1700-512 | 676-1701-512 | 676-1701-512 | 676-1701-512 | 676-1701-512 |
| 23 | Packing | | | 564-0176-816 | 564-0176-816 | 564-0177-816 | 564-0177-816 | 564-0177-816 | 564-0177-816 |
| | Qty Required* | | | 12 | 12 | 12 | 12 | 12 | 12 |
| | Repair Kit | | | 476-0632-644 | 476-0912-644 | 476-0633-644 | 476-0633-644 | 476-0633-644 | 476-0633-644 |
| | Overhaul Kit | | | 476-0373-483 | 476-0917-483 | 476-0374-483 | 476-0374-483 | 476-0374-483 | 476-0374-483 |
| | Rotating Assy | | | 700-0025-483 | 700-0745-483 | 700-0018-483 | 700-0250-483 | 700-0333-483 | 700-0486-483 |

* Not all pump assemblies contain a lantern ring. When Lantern ring is present, subtract 2 pieces of packing.

**AURORA® 480 MODELS
MODEL 481**

PAGE 7
DATED AUGUST 2017
SUPERSEDES DATED AUGUST 2015

PARTS LIST

| POWER SERIES | | | | 5 | | | | 5A | 6B |
|--------------|------------------|-------------|------|--------------|--------------|--------------|--------------|--------------|--------------|
| ITEM NUMBER | COMPONENT TYPE | OTHER | QTY. | 6-481-18C | 6-481-20 | 8-481-12 | 8-481-17B | 6-481-14HH | 8-481-21 |
| 8 & 69 | Casing Assy | 125# x 125# | 1 | 179-1594-010 | 179-1595-010 | 179-1596-010 | 179-1598-010 | | 179-2333-010 |
| 8 & 69 | Casing Assy | 125# x 250# | 1 | 179-2253-010 | 179-2121-010 | 179-2123-010 | 179-2127-010 | 179-2500-055 | 179-2331-010 |
| 8 & 69 | Casing Assy | 250# x 250# | 1 | 179-1629-010 | 179-1630-010 | 179-1631-010 | 179-1633-010 | 179-2501-055 | 179-2335-010 |
| 59 | Impeller | | 1 | 443-2298-208 | 443-2120-225 | 443-2119-225 | 443-0476-208 | 443-2985-208 | 443-2432-208 |
| 65 | Shaft | | 1 | 728-0949-063 | 728-0949-063 | 728-0949-063 | 728-0949-063 | 728-7302-063 | 728-0502-076 |
| 65 | Shaft (optional) | | 1 | 728-0949-109 | 728-0949-109 | 728-0949-109 | 728-0949-109 | 728-7302-109 | 728-0502-116 |
| 64 | Shaft Sleeve | | 2 | 756-0645-644 | 756-0645-644 | 756-0645-644 | 756-0645-644 | 756-0827-644 | 756-0646-644 |
| 66 | Case Wear Ring | | 2 | 676-1750-208 | 676-1750-208 | 676-1750-208 | 676-0018-208 | 676-2137-208 | 676-2031-208 |
| 9 | Casing Gasket | | 1 | 364-0802-598 | 364-1273-598 | 364-1274-598 | 364-1276-598 | 364-2161-598 | 364-2110-598 |
| 21 | Gland | | 2 | 372-0605-104 | 372-0605-104 | 372-0605-104 | 372-0605-104 | 372-0605-104 | 372-0606-104 |
| 38 | Bearing | | 1 | 068-0458-647 | 068-0458-647 | 068-0458-647 | 068-0458-647 | 068-0458-647 | 068-0362-647 |
| 47 | Bearing | | 1 | 068-0160-647 | 068-0160-647 | 068-0160-647 | 068-0160-647 | 068-0160-647 | 068-1912-647 |
| 52 | Lantern Ring* | | 2 | 676-1701-512 | 676-1701-512 | 676-1701-512 | 676-1701-512 | 676-1701-512 | 676-1462-512 |
| 23 | Packing | | | 564-0177-816 | 564-0177-816 | 564-0177-816 | 564-0177-816 | 564-0177-816 | 564-0179-802 |
| | Qty Required* | | | 12 | 12 | 12 | 12 | 12 | 12 |
| | Repair Kit | | | 476-0633-644 | 476-0633-644 | 476-0633-644 | 476-0633-644 | 476-0913-644 | 476-0634-644 |
| | Overhaul Kit | | | 476-0374-483 | 476-0374-483 | 476-0374-483 | 476-0374-483 | 476-0918-483 | 476-0375-483 |
| | Rotating Assy | | | 700-0487-483 | 700-0019-483 | 700-0027-483 | 700-0021-483 | 700-0743-483 | 700-0658-483 |

| POWER SERIES | | | | 6B | | | 7 | 7A | |
|--------------|------------------|-------------|------|--------------|--------------|--------------|--------------|--------------|--------------|
| ITEM NUMBER | COMPONENT TYPE | OTHER | QTY. | 8-481-21A | 10-481-15C | 10-481-18 | 8-481-24 | 12-481-18A | 10-481-18D |
| 8 & 69 | Casing Assy | 125# x 125# | 1 | 179-2461-010 | 179-1599-010 | 179-1600-010 | 179-2526-055 | 179-2297-010 | 179-2422-010 |
| 8 & 69 | Casing Assy | 125# x 250# | 1 | 179-2462-010 | 179-2255-010 | 179-2271-010 | 179-2527-055 | 179-2348-010 | 179-2423-010 |
| 8 & 69 | Casing Assy | 250# x 250# | 1 | 179-2463-010 | 179-1634-010 | 179-1635-010 | 179-2528-055 | 179-1636-010 | 179-2424-010 |
| 59 | Impeller | | 1 | 443-2662-208 | 443-0841-208 | 443-0652-225 | 443-3149-208 | 443-2482-208 | 443-2986-225 |
| 65 | Shaft | | 1 | 728-0502-076 | 728-0502-076 | 728-0502-076 | 728-0503-076 | 728-0503-076 | 728-7306-076 |
| 65 | Shaft (optional) | | 1 | 728-0502-116 | 728-0502-116 | 728-0502-116 | 728-0503-116 | 728-0503-116 | 728-7306-116 |
| 64 | Shaft Sleeve | | 2 | 756-0646-644 | 756-0646-644 | 756-0646-644 | 756-0647-644 | 756-0647-644 | 756-0774-644 |
| 66 | Case Wear Ring | | 2 | 676-2014-208 | 676-1983-208 | 676-1984-208 | 676-7125-208 | 676-2056-208 | 676-2140-208 |
| 9 | Casing Gasket | | 1 | 364-2110-598 | 364-0804-598 | 364-0805-598 | 364-2171-598 | 364-0807-598 | 364-2168-598 |
| 21 | Gland | | 2 | 372-0606-104 | 372-0606-104 | 372-0606-104 | 372-0607-104 | 372-0607-104 | 372-0610-104 |
| 38 | Bearing | | 1 | 068-0362-647 | 068-0362-647 | 068-0362-647 | 068-0364-647 | 068-0364-647 | 068-0362-647 |
| 47 | Bearing | | 1 | 068-1912-647 | 068-1912-647 | 068-1912-647 | 068-1914-647 | 068-1914-647 | 068-1912-647 |
| 52 | Lantern Ring* | | 2 | 676-1462-512 | 676-1462-512 | 676-1462-512 | 676-1943-512 | 676-1943-512 | 676-7030-509 |
| 23 | Packing | | | 564-0179-802 | 564-0179-802 | 564-0179-802 | 564-0180-802 | 564-0180-802 | 564-0181-802 |
| | Qty Required* | | | 12 | 12 | 12 | 14 | 14 | 12 |
| | Repair Kit | | | 476-0634-644 | 476-0634-644 | 476-0634-644 | 476-0635-644 | 476-0635-644 | 476-0914-644 |
| | Overhaul Kit | | | 476-0375-483 | 476-0375-483 | 476-0375-483 | 476-0376-483 | 476-0376-483 | 476-0919-483 |
| | Rotating Assy | | | 700-0659-483 | 700-0488-483 | 700-0089-483 | 700-0831-483 | 700-0540-483 | 700-0693-483 |

* Not all pump assemblies contain a lantern ring. When Lantern ring is present, subtract 2 pieces of packing.

AURORA® 480 MODELS
MODEL 483

PARTS LIST

| POWER SERIES | | | | 2 | | 3 | | | |
|--------------|------------------|-------------|------|--------------|--------------|--------------|--------------|--------------|--------------|
| ITEM NUMBER | COMPONENT TYPE | OTHER | QTY. | 2.5-483-10B | 3-483-10 | 4-483-11A | 4-483-11C | 4-483-11D | 4-483-15 |
| 8 & 69 | Casing Assy | 125# x 125# | 1 | 179-1445-010 | 179-1447-010 | 179-1451-010 | 179-1451-010 | 179-2522-010 | 179-1452-010 |
| 8 & 69 | Casing Assy | 125# x 250# | 1 | 179-2351-010 | 179-2106-010 | 179-2108-010 | 179-2108-010 | 179-2523-010 | 179-2112-010 |
| 8 & 69 | Casing Assy | 250# x 250# | 1 | 179-1423-010 | 179-1425-010 | 179-1429-010 | 179-1429-010 | 179-2524-010 | 179-1430-010 |
| 59 | Impeller | | 1 | 443-2295-225 | 443-2266-225 | 443-2112-208 | 443-0147-208 | 443-2984-225 | 443-2115-208 |
| 65 | Shaft | | 1 | 728-0946-063 | 728-0946-063 | 728-0947-063 | 728-0947-063 | 728-0947-063 | 728-0947-063 |
| 65 | Shaft (optional) | | 1 | 728-0946-109 | 728-0946-109 | 728-0947-109 | 728-0947-109 | 728-0947-109 | 728-0947-109 |
| 64 | Shaft Sleeve | | 2 | 756-0642-644 | 756-0642-644 | 756-0643-644 | 756-0643-644 | 756-0643-644 | 756-0643-644 |
| 66 | Case Wear Ring | | 2 | 676-1745-208 | 676-1746-208 | 676-1720-208 | 676-1747-208 | 676-2136-208 | 676-1747-208 |
| 9 | Casing Gasket | | 1 | 364-1263-598 | 364-1265-598 | 364-0099-598 | 364-0099-598 | 364-2165-598 | 364-1268-598 |
| 21 | Gland | | 2 | 372-0602-104 | 372-0602-104 | 372-0603-104 | 372-0603-104 | 372-0608-104 | 372-0603-104 |
| 38 | Bearing | | 1 | 068-0454-647 | 068-0454-647 | 068-0455-647 | 068-0455-647 | 068-0455-647 | 068-0455-647 |
| 47 | Bearing | | 1 | 068-1907-647 | 068-1907-647 | 068-1908-647 | 068-1908-647 | 068-1908-647 | 068-1908-647 |
| 52 | Lantern Ring* | | 1 | 676-1698-512 | 676-1698-512 | 676-1699-512 | 676-1699-512 | 676-1699-512 | 676-1699-512 |
| 23 | Packing | | | 564-0151-802 | 564-0151-802 | 564-0175-816 | 564-0175-816 | 564-0175-816 | 564-0175-816 |
| | Qty Required* | | | 12 | 12 | 10 | 10 | 10 | 10 |
| | Repair Kit | | | 476-0630-644 | 476-0630-644 | 476-0631-644 | 476-0631-644 | 476-0631-644 | 476-0631-644 |
| | Overhaul Kit | | | 476-0371-483 | 476-0371-483 | 476-0372-483 | 476-0372-483 | 476-1095-483 | 476-0372-483 |
| | Rotating Assy | | | 700-0084-483 | 700-0006-483 | 700-0009-483 | 700-0023-483 | 700-0742-483 | 700-0012-483 |

| POWER SERIES | | | | 4 | | | | | 5 |
|--------------|------------------|-------------|------|--------------|--------------|--------------|--------------|--------------|--------------|
| ITEM NUMBER | COMPONENT TYPE | OTHER | QTY. | 5-483-11B | 5-483-11C | 5-483-15 | 5-483-17 | 6-483-11 | 6-483-15 |
| 8 & 69 | Casing Assy | 125# x 125# | 1 | 179-2135-010 | 179-2135-010 | 179-1454-010 | 179-1455-010 | 179-1456-010 | 179-1457-010 |
| 8 & 69 | Casing Assy | 125# x 250# | 1 | 179-2249-010 | 179-2249-010 | 179-2114-010 | 179-2116-010 | 179-2118-010 | 179-2120-010 |
| 8 & 69 | Casing Assy | 250# x 250# | 1 | 179-2136-010 | 179-2136-010 | 179-1432-010 | 179-1433-010 | 179-1434-010 | 179-1435-010 |
| 59 | Impeller | | 1 | 443-0656-208 | 443-2300-225 | 443-2117-208 | 443-2118-225 | 443-2116-208 | 443-2119-225 |
| 65 | Shaft | | 1 | 728-0948-063 | 728-0948-063 | 728-0948-063 | 728-0948-063 | 728-0948-063 | 728-0949-063 |
| 65 | Shaft (optional) | | 1 | 728-0948-109 | 728-0948-109 | 728-0948-109 | 728-0948-109 | 728-0948-109 | 728-0949-109 |
| 64 | Shaft Sleeve | | 2 | 756-0644-644 | 756-0644-644 | 756-0644-644 | 756-0644-644 | 756-0644-644 | 756-0645-644 |
| 66 | Case Wear Ring | | 2 | 676-1748-208 | 676-1748-208 | 676-1748-208 | 676-1748-208 | 676-1748-208 | 676-1750-208 |
| 9 | Casing Gasket | | 1 | 364-0809-598 | 364-0809-598 | 364-1270-598 | 364-1270-598 | 364-1271-598 | 364-1272-598 |
| 21 | Gland | | 2 | 372-0604-104 | 372-0604-104 | 372-0604-104 | 372-0604-104 | 372-0604-104 | 372-0605-104 |
| 38 | Bearing | | 1 | 068-0456-647 | 068-0456-647 | 068-0456-647 | 068-0456-647 | 068-0456-647 | 068-0458-647 |
| 47 | Bearing | | 1 | 068-0359-647 | 068-0359-647 | 068-1909-647 | 068-1909-647 | 068-1909-647 | 068-0160-647 |
| 52 | Lantern Ring* | | 1 | 676-1700-512 | 676-1700-512 | 676-1700-512 | 676-1700-512 | 676-1700-512 | 676-1701-512 |
| 23 | Packing | | | 564-0176-816 | 564-0176-816 | 564-0176-816 | 564-0176-816 | 564-0176-816 | 564-0177-816 |
| | Qty Required* | | | 12 | 12 | 12 | 12 | 12 | 12 |
| | Repair Kit | | | 476-0632-483 | 476-0632-483 | 476-0632-483 | 476-0632-644 | 476-0632-644 | 476-0633-644 |
| | Overhaul Kit | | | 476-0451-483 | 476-0451-483 | 476-0451-483 | 476-0373-483 | 476-0373-483 | 476-0374-483 |
| | Rotating Assy | | | 700-0101-483 | 700-0484-483 | 700-0014-483 | 700-0015-483 | 700-0025-483 | 700-0018-483 |

| POWER SERIES | | | | 5 | | | | | | |
|--------------|------------------|-------------|------|--------------|--------------|--------------|--------------|--------------|--------------|--------------|
| ITEM NUMBER | COMPONENT TYPE | OTHER | QTY. | 6-483-15B | 6-483-15C | 6-483-18B | 6-483-18C | 6-483-20 | 8-483-12 | 8-483-17B |
| 8 & 69 | Casing Assy | 125# x 125# | 1 | 179-1457-010 | 179-1457-010 | 179-2103-010 | 179-2103-010 | 179-1458-010 | 179-1461-010 | 179-2077-010 |
| 8 & 69 | Casing Assy | 125# x 250# | 1 | 179-2120-010 | 179-2120-010 | 179-2254-010 | 179-2254-010 | 179-2122-010 | 179-2124-010 | 179-2128-010 |
| 8 & 69 | Casing Assy | 250# x 250# | 1 | 179-1435-010 | 179-1435-010 | 179-2102-010 | 179-2102-010 | 179-1436-010 | 179-1439-010 | 179-2079-010 |
| 59 | Impeller | | 1 | 443-0649-208 | 443-2983-225 | 443-0658-225 | 443-2298-208 | 443-2120-225 | 443-2119-225 | 443-0476-208 |
| 65 | Shaft | | 1 | 728-0949-063 | 728-0949-063 | 728-0949-063 | 728-0949-063 | 728-0949-063 | 728-0949-063 | 728-0949-063 |
| 65 | Shaft (optional) | | 1 | 728-0949-109 | 728-0949-109 | 728-0949-109 | 728-0949-109 | 728-0949-109 | 728-0949-109 | 728-0949-109 |
| 64 | Shaft Sleeve | | 2 | 756-0645-644 | 756-0645-644 | 756-0645-644 | 756-0645-644 | 756-0645-644 | 756-0645-644 | 756-0645-644 |
| 66 | Case Wear Ring | | 2 | 676-1750-208 | 676-1750-208 | 676-1989-208 | 676-1750-208 | 676-1750-208 | 676-1750-208 | 676-0018-208 |
| 9 | Casing Gasket | | 1 | 364-1272-598 | 364-1272-598 | 364-0802-598 | 364-0802-598 | 364-1273-598 | 364-1274-598 | 364-1276-598 |
| 21 | Gland | | 2 | 372-0605-104 | 372-0605-104 | 372-0605-104 | 372-0605-104 | 372-0605-104 | 372-0605-104 | 372-0605-104 |
| 38 | Bearing | | 1 | 068-0458-647 | 068-0458-647 | 068-0458-647 | 068-0458-647 | 068-0458-647 | 068-0458-647 | 068-0458-647 |
| 47 | Bearing | | 1 | 068-0160-647 | 068-0160-647 | 068-0160-647 | 068-0160-647 | 068-0160-647 | 068-0160-647 | 068-0160-647 |
| 52 | Lantern Ring* | | 1 | 676-1701-512 | 676-1701-512 | 676-1701-512 | 676-1701-512 | 676-1701-512 | 676-1701-512 | 676-1701-512 |
| 23 | Packing | | | 564-0177-816 | 564-0177-816 | 564-0177-816 | 564-0177-816 | 564-0177-816 | 564-0177-816 | 564-0177-816 |
| | Qty Required* | | | 12 | 12 | 12 | 12 | 12 | 12 | 12 |
| | Repair Kit | | 1 | 476-0633-644 | 476-0633-644 | 476-0633-644 | 476-0633-644 | 476-0633-644 | 476-0633-644 | 476-0633-644 |
| | Overhaul Kit | | 1 | 476-0374-483 | 476-0374-483 | 476-0374-483 | 476-0374-483 | 476-0374-483 | 476-0374-483 | 476-0374-483 |
| | Rotating Assy | | 1 | 700-0250-483 | 700-0333-483 | 700-0486-483 | 700-0487-483 | 700-0019-483 | 700-0027-483 | 700-0021-483 |

* Not all pump assemblies contain a lantern ring. When Lantern ring is present, subtract 2 pieces of packing.

MODEL 485

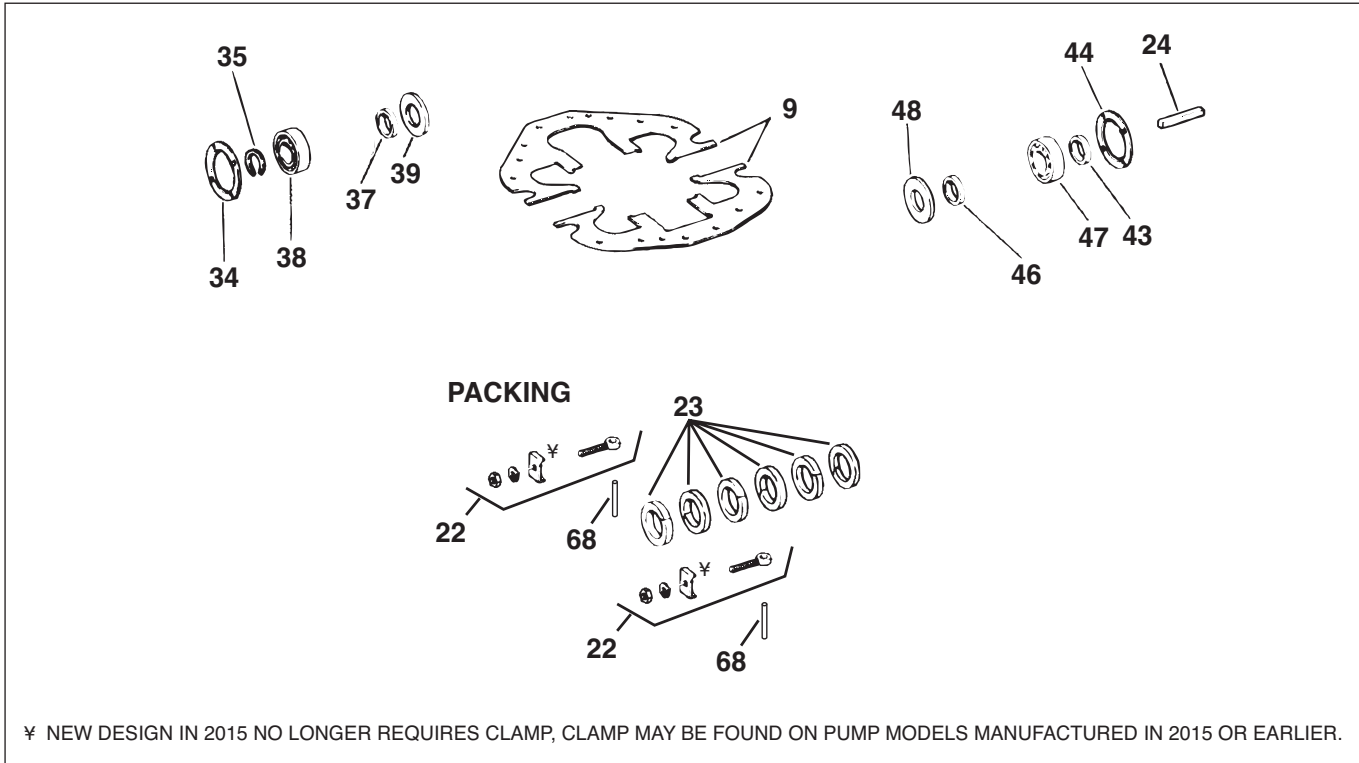
PARTS LIST

| POWER SERIES | | | | 4A | 5A |
|--------------|--------------------|-------------|------|--------------|--------------|
| ITEM NUMBER | COMPONENT TYPE | OTHER | QTY. | 5-485-12 | 6-485-12 |
| 8 & 74 | Casing | 125# x 250# | 1 | 179-2495-055 | 179-2497-055 |
| 8 & 74 | Casing | 250# x 250# | 1 | 179-2496-055 | 179-2498-055 |
| 67 | Impeller 1st Stage | | 1 | 443-2979-225 | 443-2981-225 |
| 59 | Impeller 2nd Stage | | 1 | 443-2978-225 | 443-2980-225 |
| 71 | Shaft | | 1 | 728-7292-076 | 728-7293-076 |
| 71 | Shaft (optional) | | 1 | 728-7292-116 | 728-7293-116 |
| 57 & 65 | Shaft Sleeve | | 2 | 756-0690-644 | 756-0691-644 |
| 28 | Case Wear Ring | | 2 | 676-2118-208 | 676-2120-208 |
| 61 | Bushing | | 1 | 136-1637-226 | 136-1638-226 |
| 9 | Casing Gasket | | 1 | 364-2141-598 | 364-2142-598 |
| 21 | Gland | | 2 | 372-0609-104 | 372-0605-104 |
| 38 | Bearing Item 38 | | 1 | 068-1909-647 | 068-0160-647 |
| 47 | Bearing Item 47 | | 2 | 068-0022-647 | 068-0023-647 |
| 52 | Lantern Ring | | | 676-2119-512 | 676-2121-512 |
| | Qty Required* | | | 1 | 2 |
| 23 | Packing | | | 564-0176-816 | 564-0177-816 |
| | Qty Required* | | | 9 | 12 |
| | Repair Kit | | 1 | 476-1090-644 | 476-1091-644 |
| | Overhaul Kit | | 1 | 476-1092-483 | 476-1093-483 |
| | Rotating Assy | | 1 | 700-8225-483 | 700-8261-483 |

| POWER SERIES | | | | 3 | 4 | 5 | | |
|--------------|--------------------|-------------|------|--------------|--------------|--------------|--------------|--------------|
| ITEM NUMBER | COMPONENT TYPE | OTHER | QTY. | 4-485-15 | 5-485-15 | 6-485-16 | 6-485-16B | 6-485-17A |
| 8 & 74 | Casing | 125# x 250# | 1 | 179-1637-010 | 179-2288-010 | 179-2431-055 | 179-2431-055 | 179-1640-010 |
| 8 & 74 | Casing | 250# x 250# | 1 | 179-1641-010 | 179-2292-010 | 179-2432-055 | 179-2432-055 | 179-1644-010 |
| 67 | Impeller 1st Stage | | 1 | 443-2099-208 | 443-2100-208 | 443-3151-208 | 443-3155-208 | 443-2134-208 |
| 59 | Impeller 2nd Stage | | 1 | 443-2098-208 | 443-2101-208 | 443-3153-208 | 443-3157-208 | 443-2133-208 |
| 71 | Shaft | | 1 | 728-1041-063 | 728-1042-063 | 728-1043-063 | 728-1043-063 | 728-1043-063 |
| 71 | Shaft (optional) | | 1 | 728-1041-109 | 728-1042-109 | 728-1043-109 | 728-1043-109 | 728-1043-109 |
| 65 | Shaft Sleeve | | 2 | 756-0643-644 | 756-0644-644 | 756-0645-644 | 756-0645-644 | 756-0645-644 |
| 69 | Case Wear Ring | | 2 | 676-1013-208 | 676-1012-208 | 676-2150-208 | 676-2150-208 | 676-1750-208 |
| 61 | Bushing | | 1 | 136-1321-226 | 136-1322-226 | 136-1323-226 | 136-1323-226 | 136-1323-226 |
| 62 | Sleeve | | 1 | 756-0633-644 | 756-0634-644 | 756-0635-644 | 756-0635-644 | 756-0635-644 |
| 9 | Casing Gasket | | 1 | 364-1302-598 | 364-1224-598 | 364-2206-598 | 364-2206-598 | 364-1332-598 |
| 21 | Gland | | 2 | 372-0603-104 | 372-0604-104 | 372-0605-104 | 372-0605-104 | 372-0605-104 |
| 38 | Bearing Item 38 | | 1 | 068-0455-647 | 068-0456-647 | 068-0458-647 | 068-0458-647 | 068-0458-647 |
| 47 | Bearing Item 47 | | 1 | 068-1908-647 | 068-1909-647 | 068-0160-647 | 068-0160-647 | 068-0160-647 |
| 52 | Lantern Ring | | | 676-1699-512 | 676-1700-512 | 676-1701-512 | 676-1701-512 | 676-1701-512 |
| | Qty Required* | | | 1 | 1 | 1 | 1 | 1 |
| 23 | Packing | | | 564-0175-816 | 564-0176-816 | 564-0177-816 | 564-0177-816 | 564-0177-816 |
| | Qty Required* | | | 9 | 11 | 11 | 11 | 11 |
| | Repair Kit | | 1 | 476-0644-644 | 476-0645-644 | 476-0646-644 | 476-0646-644 | 476-0646-644 |
| | Overhaul Kit | | 1 | 476-0378-483 | 476-0379-483 | 476-0380-483 | 476-0380-483 | 476-0380-483 |
| | Rotating Assy | | 1 | 700-0037-483 | 700-0038-483 | 700-0825-483 | 700-0845-483 | 700-0039-483 |

* Not all pump assemblies contain a lantern ring. When Lantern ring is present, subtract 1 piece of packing per lantern ring.

PACKING REPAIR KITS



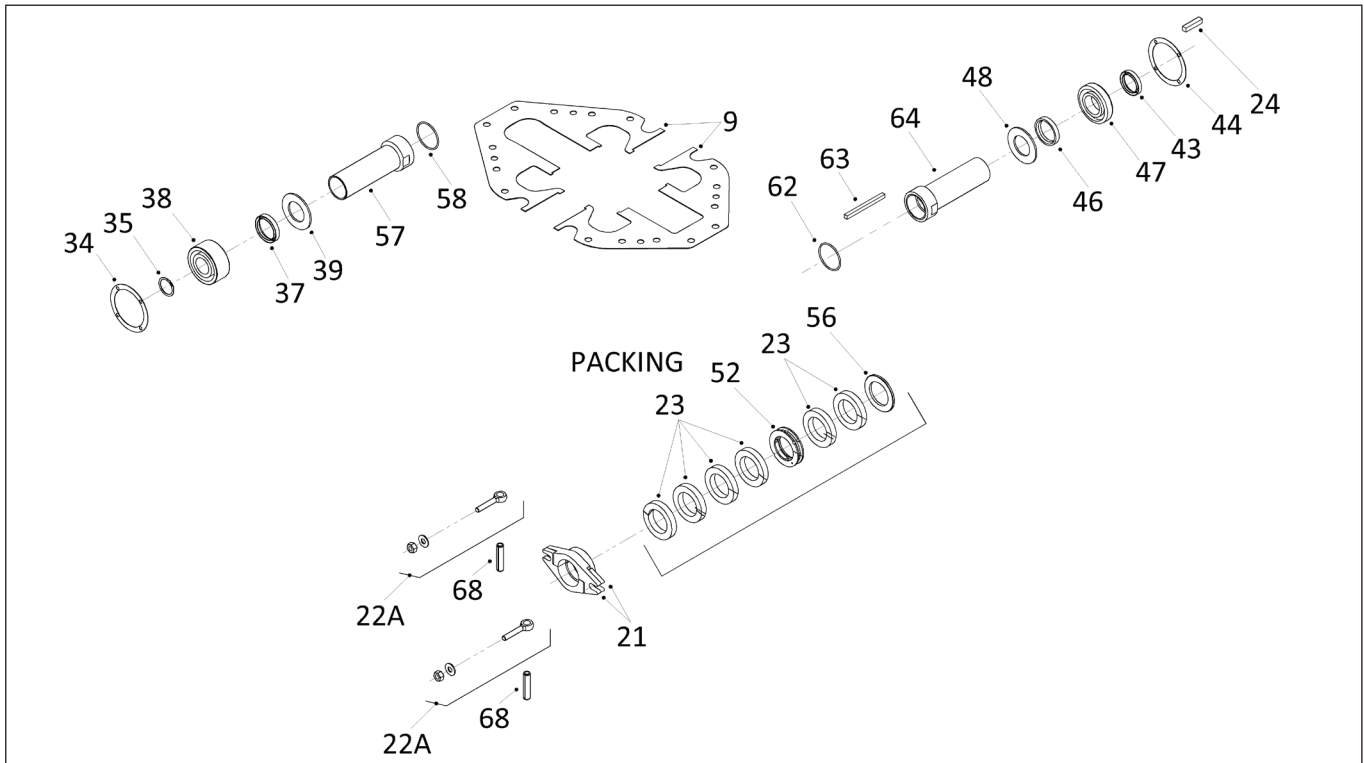
PARTS INCLUDED IN PACKING/SEAL REPAIR KITS

| POWER SERIES | PACKING KIT |
|--------------|--------------|
| 1 | 476-0629-644 |
| 2 | 476-0630-644 |
| 3 | 476-0631-644 |
| 4 | 476-0632-644 |
| 4* | 476-0632-483 |
| 4A | 476-0912-644 |
| 5 | 476-0633-644 |
| 5A | 476-0913-644 |
| 6B | 476-0634-644 |
| 7 | 476-0635-644 |
| 7A | 476-0914-644 |

| PC # | PART DESCRIPTION | MATERIAL CODE |
|------|-------------------------|---------------|
| | | |
| | | 644 |
| | | BF |
| 9 | Gasket | 598 |
| 22 | Swingbolt Assy | 644 |
| 23 | Packing | 802 |
| 24 | Coupling Key | 087 |
| 34 | Gasket | 653 |
| 35 | Retaining Ring | 088 |
| 37 | Grease Seal | 653 |
| 38 | Bearing | 647 |
| 39 | Slinger | 478 |
| 43 | Grease Seal | 653 |
| 44 | Gasket | 614 |
| 46 | Grease Seal | 653 |
| 47 | Bearing | 647 |
| 48 | Slinger | 478 |
| 68 | Drive Pin PS #1, 2 Only | 104 |

*Applies only to pump models 5-481-11B, C & D and 5-483-11B, C & D

OVERHAUL KITS



PARTS INCLUDED IN OVERHAUL KIT

| POWER SERIES | OVERHAUL KIT |
|--------------|--------------|
| 2 | 476-0371-483 |
| 3 | 476-0372-483 |
| 4 | 476-0373-483 |
| 4* | 476-0451-483 |
| 4** | 476-1095-483 |
| 4A | 476-0917-483 |
| 5 | 476-0374-483 |
| 5A | 476-0918-483 |
| 6B | 476-0375-483 |
| 7 | 476-0376-483 |
| 7A | 476-0919-483 |
| 7A | 476-0914-644 |

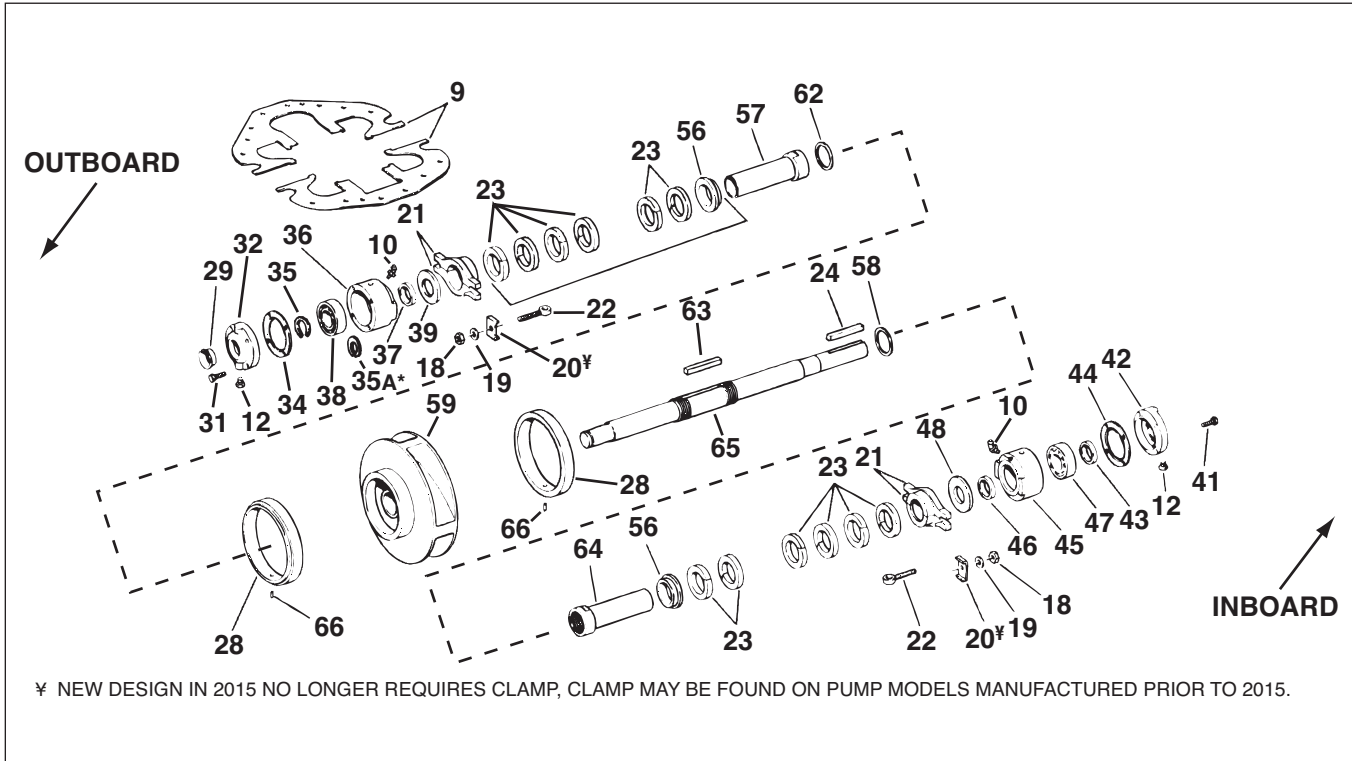
* Applies only to pump models 5-481-11B, C & D and 5-483-11B, C & D

** Applies only to pump models 4-481-11D and 4-483-11D

| PC # | PART DESCRIPTION | MATERIAL CODE |
|------|-----------------------|---------------|
| | | |
| | | 644 |
| | | BF |
| 9 | Gasket | 598 |
| 21 | Packing Gland | 208 |
| 22A | Swingbolt Assy | 644 |
| 23 | Packing | 802 |
| 24 | Coupling Key | 087 |
| 34 | Gasket | 653 |
| 35 | Retaining Ring | 088 |
| 37 | Grease Seal | 653 |
| 38 | Bearing | 647 |
| 39 | Slinger | 478 |
| 43 | Grease Seal | 653 |
| 44 | Gasket | 614 |
| 46 | Grease Seal | 653 |
| 47 | Bearing | 647 |
| 48 | Slinger | 478 |
| 52 | Lantern Ring | 512 |
| 56 | Bushing | 208 |
| 57 | Sleeve | 208 |
| 58 | O Ring | 457 |
| 62 | O Ring | 457 |
| 63 | Impeller Key | 107 |
| 64 | Sleeve | 208 |
| 68 | Drive Pins PS #2 Only | 104 |

AURORA® 480 MODELS
MODELS 481 & 483

ROTATING ASSEMBLIES

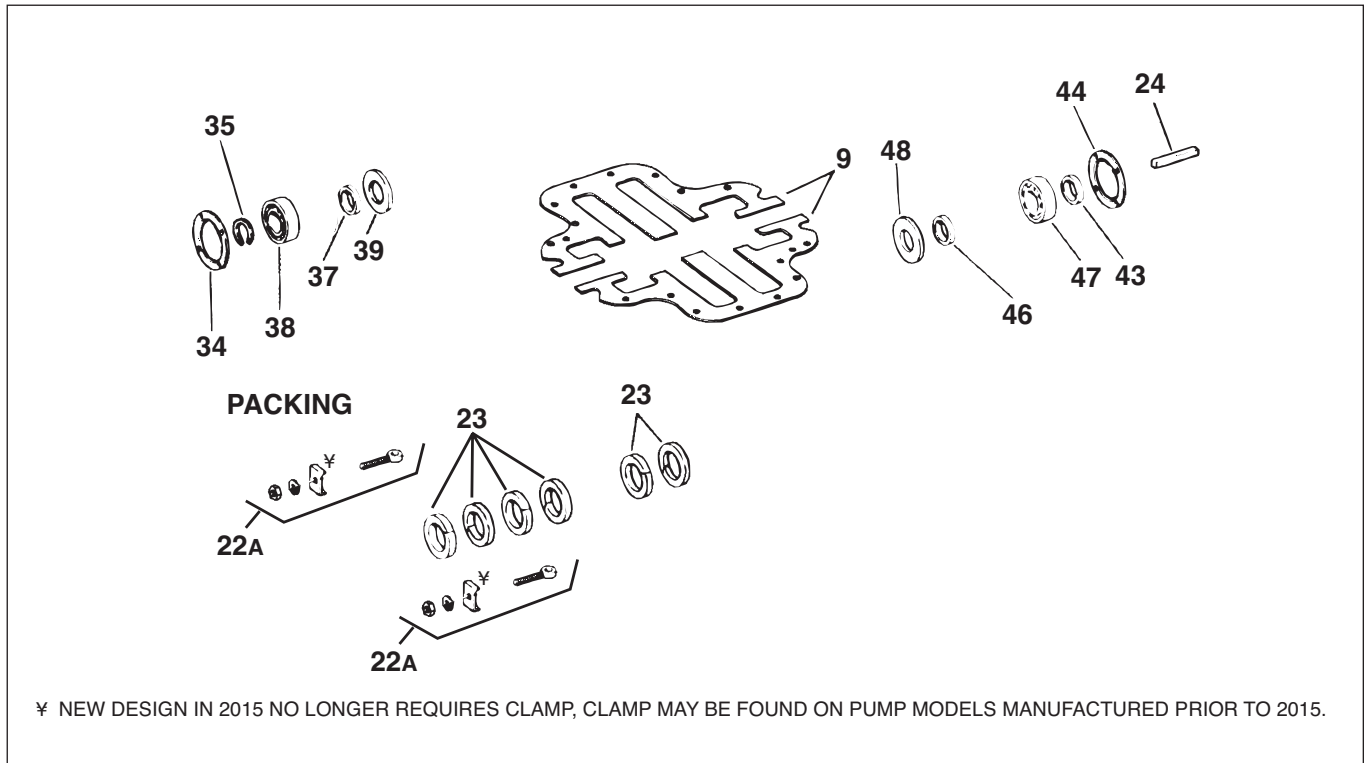


| PUMP MODEL | POWER SERIES | PART NUMBER |
|-------------------------|--------------|--------------|
| 2.5-481-10B/2.5-483-10B | 2 | 700-0084-483 |
| 3-481-10/3-483-10 | 2 | 700-0006-483 |
| 4-481-11A/4-483-11A | 3 | 700-0009-483 |
| 4-481-11C/4-483-11C | 3 | 700-0023-483 |
| 4-481-11D/4-483-11D | 3 | 700-0742-483 |
| 4-481-15/4-483-15 | 3 | 700-0012-483 |
| 5-481-11B/5-483-11B | 4 | 700-0101-483 |
| 5-481-11C/5-483-11C | 4 | 700-0484-483 |
| 5-481-11D | 4 | 700-0496-483 |
| 5-481-15/5-483-15 | 4 | 700-0014-483 |
| 5-481-15A | 4 | 700-0261-483 |
| 5-481-17/5-483-17 | 4 | 700-0015-483 |
| 6-481-11/6-483-11 | 4 | 700-0025-483 |
| 6-481-11HH | 4A | 700-0745-483 |
| 6-481-15/6-483-15 | 5 | 700-0018-483 |

| PUMP MODEL | POWER SERIES | PART NUMBER |
|---------------------|--------------|--------------|
| 6-481-15B/6-483-15B | 5 | 700-0250-483 |
| 6-481-15C/6-483-15C | 5 | 700-0333-483 |
| 6-481-18B/6-483-18B | 5 | 700-0486-483 |
| 6-481-18C/6-483-18C | 5 | 700-0487-483 |
| 6-481-20/6-483-20 | 5 | 700-0019-483 |
| 8-481-12/8-483-12 | 5 | 700-0027-483 |
| 8-481-17B/8-483-17B | 5 | 700-0021-483 |
| 6-481-14HH | 5A | 700-0743-483 |
| 10-481-15C | 6B | 700-0488-483 |
| 10-481-18 | 6B | 700-0089-483 |
| 8-481-21 | 6B | 700-0658-483 |
| 8-481-21A | 6B | 700-0659-483 |
| 12-481-18A | 7 | 700-0540-483 |
| 8-481-24 | 7 | 700-0831-483 |
| 10-481-18D | 7A | 700-0693-483 |

| PC # | PART DESCRIPTION |
|------|------------------|
| 9 | Gasket |
| 10 | Grease Fitting |
| 12 | Plug |
| 18 | Nut |
| 19 | Washer |
| 20¥ | Gland Clamp |
| 21 | Packing Gland |
| 22 | Swing Bolt |
| 23 | Packing |
| 24 | Coupling Key |
| 28 | Case Ring |
| 29 | Protector |
| 31 | Capscrew |
| 34 | Gasket |
| 35 | Retaining Ring |
| 36 | Cartridge |
| 37 | Grease Seal |
| 38 | Bearing |
| 39 | Slinger |
| 41 | Capscrew |
| 42 | Cartridge Seal |
| 43 | Grease Seal |
| 44 | Gasket |
| 45 | Cartridge |
| 46 | Grease Seal |
| 47 | Bearing |
| 48 | Slinger |
| 56 | Bushing |
| 57 | Sleeve |
| 58 | O Ring |
| 59 | Impeller |
| 62 | O Ring |
| 63 | Impeller Key |
| 64 | Sleeve |
| 66 | Pin |

PACKING REPAIR KITS



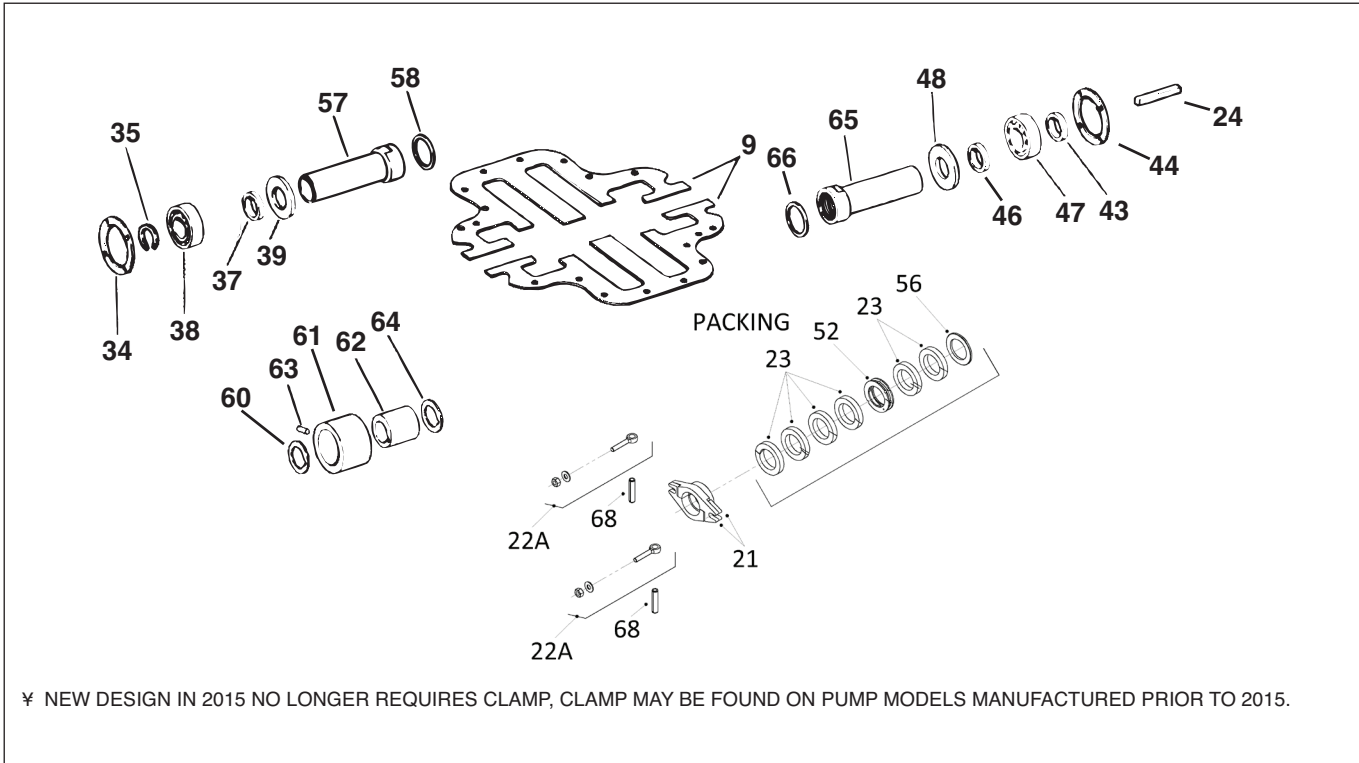
| POWER SERIES | PACKING KIT |
|--------------|--------------|
| 3 | 476-0644-644 |
| 4 | 476-0645-644 |
| 4A | 476-1090-644 |
| 5 | 476-0646-644 |
| 5A | 476-1091-644 |

PARTS INCLUDED IN PACKING/SEAL REPAIR KITS

| PC # | PART DESCRIPTION | MATERIAL CODE |
|------|------------------|---------------|
| 9 | Gasket | 598 |
| 22A | Swingbolt Assy | 644 |
| 23 | Packing | 802 |
| 24 | Coupling Key | 087 |
| 34 | Gasket | 614 |
| 35 | Retaining Ring | 088 |
| 37 | Grease Seal | 653 |
| 38 | Bearing | 647 |
| 39 | Slinger | 478 |
| 43 | Grease Seal | 653 |
| 44 | Gasket | 614 |
| 46 | Grease Seal | 653 |
| 47 | Bearing | 647 |
| 48 | Slinger | 478 |

**AURORA® 480 MODELS
 MODEL 485**

OVERHAUL KITS

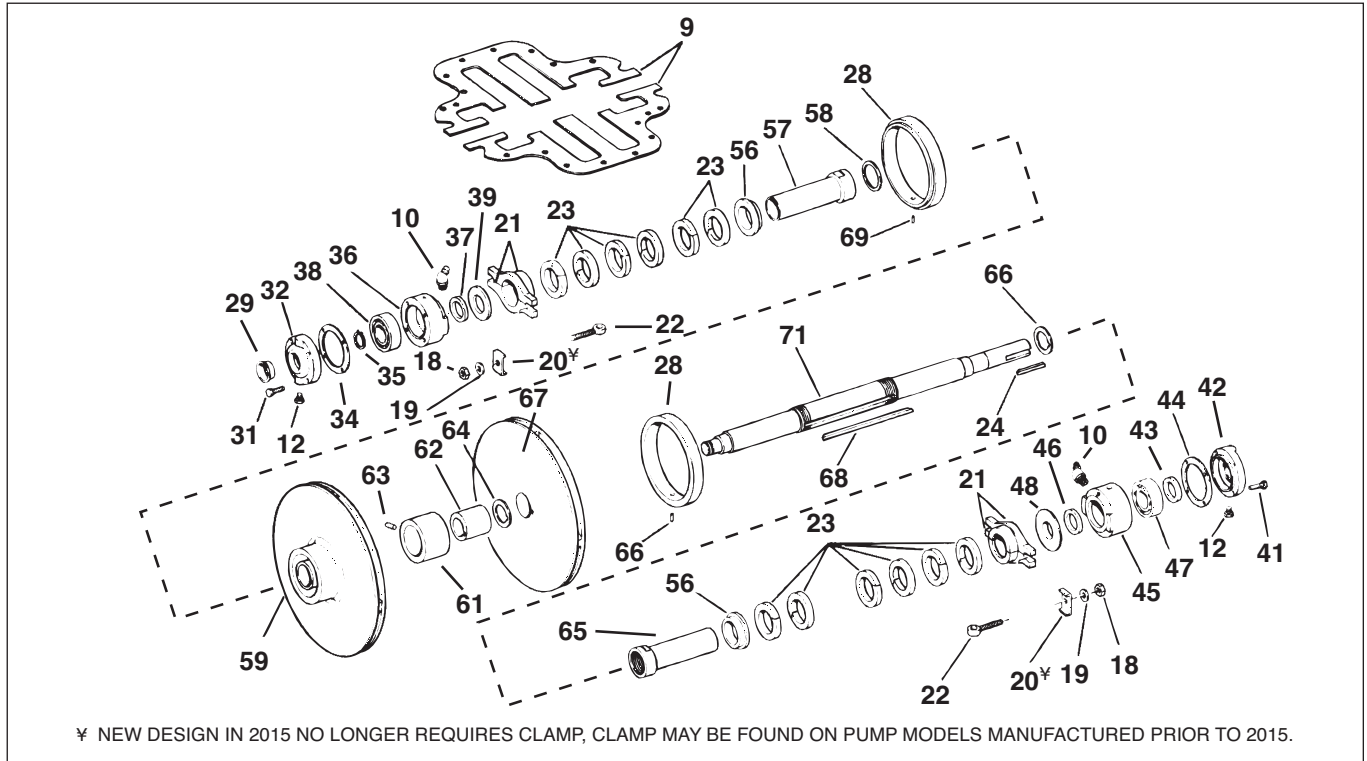


PARTS INCLUDED IN OVERHAUL KIT

| POWER SERIES | OVERHAUL KIT |
|--------------|--------------|
| 3 | 476-0378-483 |
| 4 | 476-0379-483 |
| 4A | 476-1092-483 |
| 5 | 476-0380-483 |
| 5A | 476-1093-483 |

| PC # | PART DESCRIPTION | MATERIAL CODE |
|------|------------------|---------------|
| 9 | Gasket | 598 |
| 21 | Packing Gland | 010 |
| 22A | Swingbolt Assy | 644 |
| 23 | Packing | 802 |
| 24 | Coupling Key | 087 |
| 34 | Gasket | 614 |
| 35 | Retaining Ring | 088 |
| 37 | Grease Seal | 653 |
| 38 | Bearing | 647 |
| 39 | Slinger | 478 |
| 43 | Grease Seal | 653 |
| 44 | Gasket | 614 |
| 46 | Grease Seal | 653 |
| 47 | Bearing | 647 |
| 48 | Slinger | 478 |
| 52 | Lantern Ring | 512 |
| 56 | Bushing | 208 |
| 57 | Sleeve | 208 |
| 58 | O Ring | 457 |
| 60 | O Ring | 457 |
| 61 | Bushing | 226 |
| 62 | Sleeve | 215 |
| 63 | Pin | 360 |
| 64 | O Ring | 457 |
| 65 | Sleeve | 208 |
| 66 | O Ring | 457 |
| 68 | Impeller Key | 107 |

ROTATING ASSEMBLIES



| PUMP MODEL | POWER SERIES | PART NUMBER |
|------------|--------------|--------------|
| 4-485-15 | 3 | 700-0037-483 |
| 5-485-15 | 4 | 700-0038-483 |
| 5-485-12 | 4A | 700-8225-483 |
| 6-485-16 | 5 | 700-0825-483 |
| 6-485-16B | 5 | 700-0845-483 |
| 6-485-17A | 5 | 700-0039-483 |
| 6-485-12 | 5A | 700-8261-483 |

| PC # | PART DESCRIPTION |
|------|------------------|
| 9 | Gasket |
| 10 | Grease Fitting |
| 12 | Plug |
| 18 | Nut |
| 19 | Washer |
| 20¥ | Clamp |
| 21 | Packing Gland |
| 22 | Swing Bolt |
| 23 | Packing |
| 28 | Case Ring |
| 29 | Protector |
| 31 | Capscrew |
| 32 | Cartridge Seal |
| 34 | Gasket |
| 35 | Retaining Ring |
| 36 | Cartridge |
| 37 | Grease Seal |
| 38 | Bearing |
| 39 | Slinger |
| 41 | Capscrew |

| PC # | PART DESCRIPTION |
|------|------------------|
| 42 | Cartridge Cap |
| 43 | Grease Seal |
| 44 | Gasket |
| 45 | Cartridge |
| 46 | Grease Seal |
| 47 | Bearing |
| 48 | Slinger |
| 56 | Bushing |
| 57 | Sleeve |
| 58 | O Ring |
| 59 | Impeller |
| 62 | Sleeve |
| 63 | Pin |
| 64 | O Ring |
| 65 | Sleeve |
| 66 | O Ring |
| 67 | Impeller |
| 69 | Pin |
| 71 | Shaft |

WARRANTY

Seller warrants equipment (and its component parts) of its own manufacture against defects in materials and workmanship under normal use and service for one (1) year from the date of installation or start-up, or for eighteen (18) months after the date of shipment, whichever occurs first. Seller does not warrant accessories or components that are not manufactured by Seller; however, to the extent possible, Seller agrees to assign to Buyer its rights under the original manufacturer's warranty, without recourse to Seller. Buyer must give Seller notice in writing of any alleged defect covered by this warranty (together with all identifying details, including the serial number, the type of equipment, and the date of purchase) within thirty (30) days of the discovery of such defect during the warranty period. No claim made more than 30 days after the expiration of the warranty period shall be valid. Guarantees of performance and warranties are based on the use of original equipment manufactured (OEM) replacement parts. Seller assumes no responsibility or liability if alterations, non-authorized design modifications and/or non-OEM replacement parts are incorporated. If requested by Seller, any equipment (or its component parts) must be promptly returned to Seller prior to any attempted repair, or sent to an authorized service station designated by Seller, and Buyer shall prepay all shipping expenses. Seller shall not be liable for any loss or damage to goods in transit, nor will any warranty claim be valid unless the returned goods are received intact and undamaged as a result of shipment. Repaired or replaced material returned to customer will be shipped F.O.B., Seller's factory. Seller will not give Buyer credit for parts or equipment returned to Seller, and will not accept delivery of any such parts or equipment, unless Buyer has obtained Seller's approval in writing. The warranty extends to repaired or replaced parts of Seller's manufacture for ninety (90) days or for the remainder of the original warranty period applicable to the equipment or parts being repaired or replaced, whichever is greater. This warranty applies to the repaired or replaced part and is not extended to the product or any other component of the product being repaired. Repair parts of its own manufacture sold after the original warranty period are warranted for a period of one (1) year from shipment against defects in materials and workmanship under normal use and service. This warranty applies to the replacement part only and is not extended to the product or any other component of the product being repaired. Seller may substitute new equipment or improve part(s) of any equipment judged defective without further liability. All repairs or services performed by Seller, which are not covered by this warranty, will be charged in accordance with Seller's standard prices then in effect.

THIS WARRANTY IS THE SOLE WARRANTY OF SELLER AND SELLER HEREBY EXPRESSLY DISCLAIMS AND BUYER WAIVES ALL OTHER WARRANTIES EXPRESSED, IMPLIED IN LAW OR IMPLIED IN FACT, INCLUDING ANY WARRANTIES OF MERCHANTABILITY OR FITNESS FOR A PARTICULAR PURPOSE. Seller's sole obligation under this warranty shall be, at its option, to repair or replace any equipment (or its component parts) which has a defect covered by this warranty, or to refund the purchase price of such equipment or part. Under the terms of this warranty, Seller shall not be liable for (a) consequential, collateral, special or liquidated losses or damages; (b) equipment conditions caused by normal wear and tear, abnormal conditions of use, accident, neglect, or misuse of said equipment; (c) the expense of, and loss or damage caused by, repairs or alterations made by anyone other than the Seller; (d) damage caused by abrasive materials, chemicals, scale deposits, corrosion, lightning, improper voltage, mishandling, or other similar conditions; (e) any loss, damage, or expense relating to or resulting from installation, removal or reinstallation of equipment; (f) any labor costs or charges incurred in repairing or replacing defective equipment or parts, including the cost of reinstalling parts that are repaired or replaced by Seller; (g) any expense of shipment of equipment or repaired or replacement parts; or (h) any other loss, damage or expense of any nature.

The above warranty shall not apply to any equipment which may be separately covered by any alternate or special warranties.

PERFORMANCE: In the absence of Certified Pump Performance Tests, equipment performance is not warranted or guaranteed. Performance curves and other information submitted to Buyer are approximate and no warranty or guarantee shall be deemed to arise as a result of such submittal. All testing shall be done in accordance with Seller's standard policy under Hydraulic Institute procedures.

LIABILITY LIMITATIONS: Under no circumstances shall the Seller have any liability under the Order or otherwise for liquidated damages or for collateral, consequential or special damages or for loss of profits, or for actual losses or for loss of production or progress of construction, regardless of the cause of such damages or losses. In any event, Seller's aggregate total liability under the Order or otherwise shall not exceed the contract price.

ACTS OF GOD: Seller shall in no event be liable for delays in delivery of the equipment or other failures to perform caused by fires, acts of God, strikes, labor difficulties, acts of governmental or military authorities, delays in transportation or procuring materials, or causes of any kind beyond Seller's control.

COMPLIANCE WITH LAW: Seller agrees to comply with all United States laws and regulations applicable to the manufacturing of the subject equipment. Such compliance shall include: The Fair Labor Standards Acts of 1938, as amended; Equal Employment Opportunity clauses of Executive Order 11246, as amended; Occupational Safety and Health Act of 1970 and the standards promulgated thereunder, if applicable. Since compliance with the various Federal, State, and Local laws and regulations concerning occupational health and safety, pollution or local codes are affected by the use, installation and operation of the equipment and other matters over which Seller has no control, Seller assumes no responsibility for compliance with those laws and regulations, whether by way of indemnity, warranty, or otherwise. It is incumbent upon the Buyer to specify equipment which complies with local codes and ordinances.



AURORA®

800 Airport Road

North Aurora, Illinois 60542 U.S.A.

630-859-7000

www.aurorapump.com