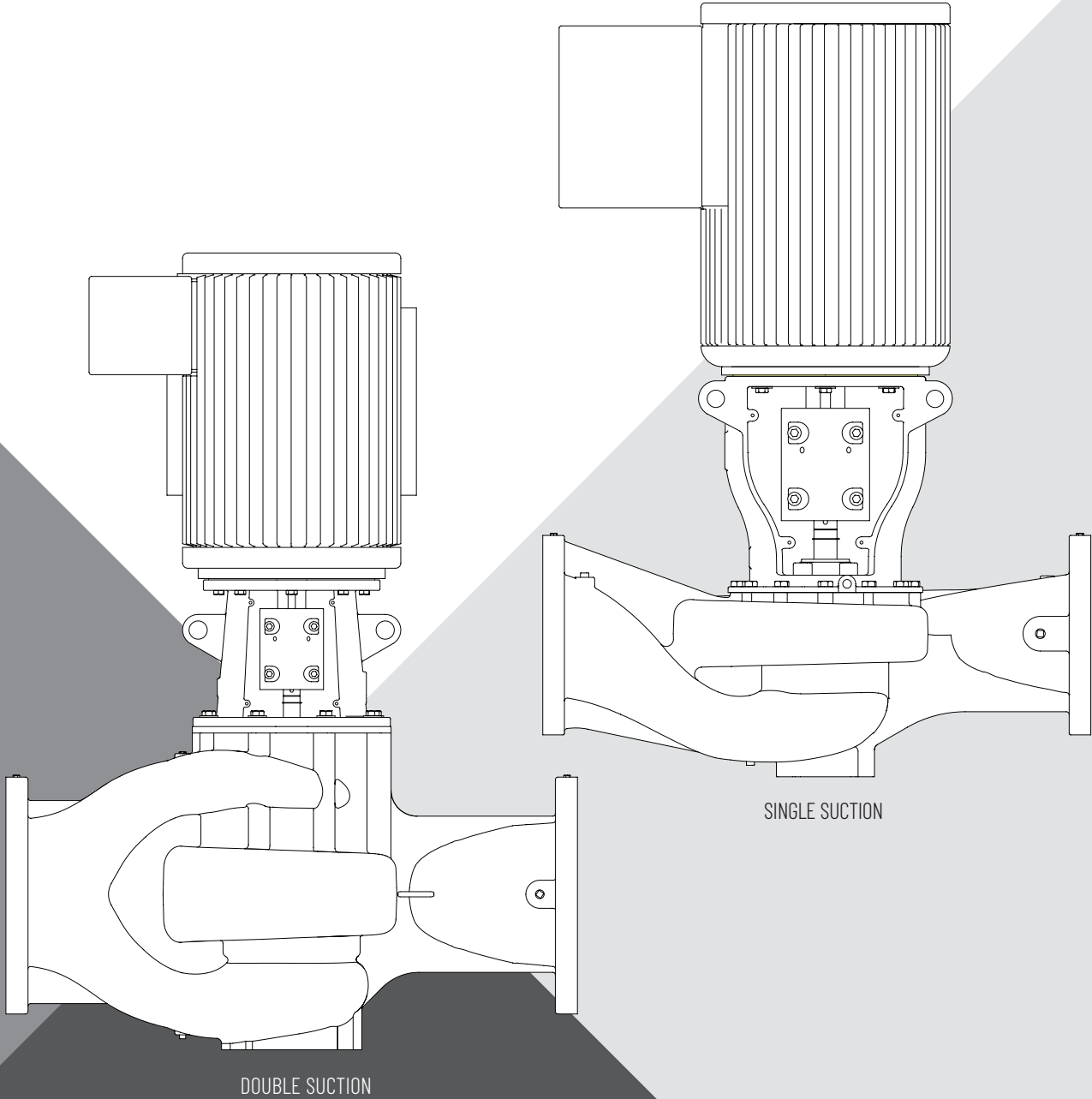




VERTICAL IN-LINE SPLIT COUPLED 382B-SC SERIES



REPAIR PARTS INDEX

TABLE OF CONTENTS:

DESCRIPTION	
Exploded View with Piece Numbers for Single Suction Pumps	3
Exploded View with Piece Numbers for Double Suction Pumps	4
PUMP SIZE.....	
1.5 x 1.5 x 7 through 6 x 6 x 7A Part Numbers	5-6
1.5 x 1.5 x 9.5 through 8 x 8 x 9.5A Part Numbers.....	7-8
2 x 2 x 11 through 8 x 8 x 11A Part Numbers.....	9-10
3 x 3 x 13.5 through 10 x 10 x 13.5A Part Numbers.....	11-12
10 x 10 x 14 through 14 x 14 x 18 Part Numbers	13-14
Standard Limited Warranty	15

NOTE: To determine when to use **(S)**, **(L)** or **(XL)** parts, in addition to the pump size, it is also necessary to have the motor frame.

MOTOR FRAMES:

Motor Frames 143–215 use (S) parts.

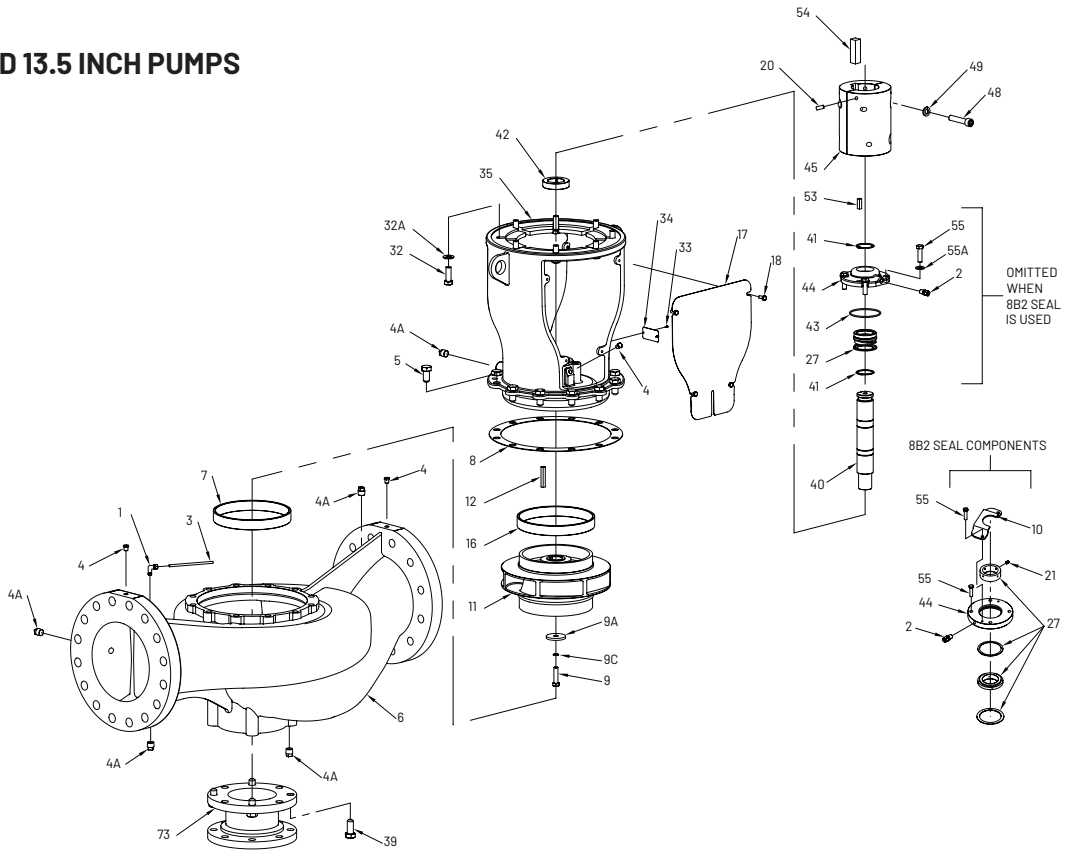
Motor Frames 254–326 use (L) parts.

Motor Frames 364–449 use (XL) parts.

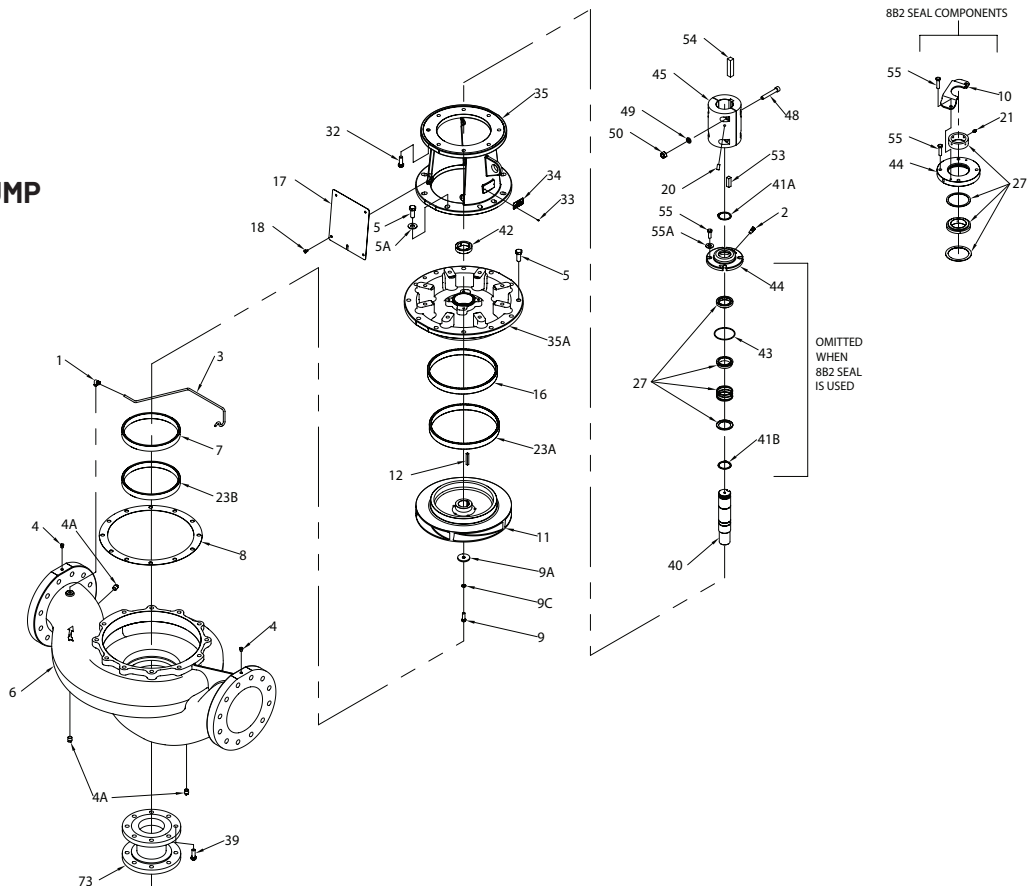
Notice: Read and understand the pump and motor instructions available in the Pentair Aurora® 382B In-Line Split Coupled Pump Installation and Operational Manual before attempting to install, disassemble or repair the pump.

EXPLODED VIEW WITH PIECE NUMBERS FOR SINGLE SUCTION PUMPS

7, 9.5, 11 AND 13.5 INCH PUMPS



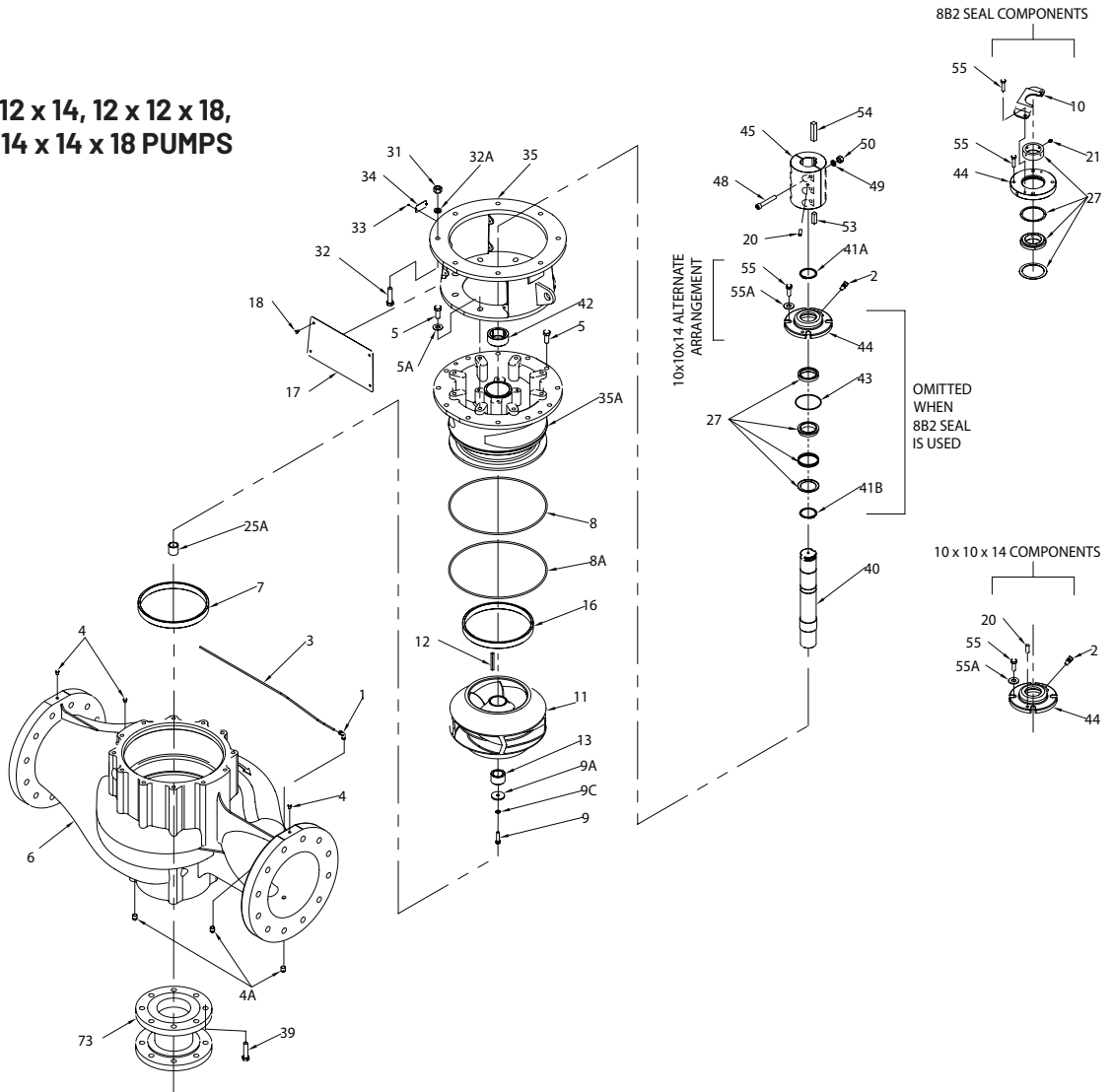
10 x 10 x 19 PUMP



Note: 10x10x19 items 35 and 35A are two pieces, all other single suction sizes are an integral bracket and seal plate.

EXPLODED VIEW WITH PIECE NUMBERS FOR DOUBLE SUCTION PUMPS

10 x 10 x 14, 12 x 12 x 14, 12 x 12 x 18,
14 x 14 x 15 AND 14 x 14 x 18 PUMPS



PART LIST	
PC. NO.	DESCRIPTION
1	COMPRESSION ELBOW
2	COMPRESSION CONNECTOR
3	TUBING
4	PIPE PLUG
4A	PIPE PLUG
5	CAP SCREW
5A	WASHER
6	CASING
7	WEAR RING
8/8A	GASKET/O-RING
9	IMPELLER CAP SCREW
9A	IMPELLER WASHER
9C	IMPELLER SEAL
10	JACKING PLATE
11	IMPELLER
12	IMPELLER KEY

PART LIST	
PC. NO.	DESCRIPTION
13	SPIRE BUSH
16	WEAR RING
17	COUPLING GUARD
18	GUARD MOUNTING SCREW
20	SET SCREW
23A	WEAR RING
23B	WEAR RING
25A	SPIRE SLEEVE
27	MECHANICAL SEAL
31	HEX NUT (MOTOR SIDE)
32	CAP SCREW
32A	LOCK WASHER (MOTOR SIDE)
33	SCREW
34	NAME PLATE
35	BRACKET
35A	SEAL PLATE

PART LIST	
PC. NO.	DESCRIPTION
39	CAP SCREW
40	SHAFT
41(A, B)	RETAINING RING
42	THROTTLE BUSHING
43	GLAND O-RING
44	GLAND
45	SPLIT COUPLING
48	CAP SCREW
49	LOCK WASHER
50	HEX NUT
53	PUMP COUPLING KEY
54	MOTOR COUPLING KEY
55	GLAND CAP SCREW
55A	GLAND WASHER
73	SPOOL BASE

PENTAIR AURORA® RESERVES THE RIGHT TO SUBSTITUTE MATERIALS WITHOUT NOTICE.

NOTE: WHEN ORDERING SPARE PARTS ALWAYS INCLUDE THE PUMP TYPE, SIZE, SERIAL NUMBER AND THE PIECE NUMBER FROM THE EXPLODED VIEW IN THIS DOCUMENT. ORDER ALL PARTS FROM YOUR LOCAL AUTHORIZED DISTRIBUTOR OR THE FACTORY AT NORTH AURORA, ILLINOIS.

1.5 x 1.5 x 7 THROUGH 6 x 6 x 7A PART NUMBERS

PC. NO.	DESCRIPTION	QTY	1.5 x 1.5 x 7	2 x 2 x 7A	2.5 x 2.5 x 7A	3 x 3 x 7	4 x 4 x 7A	5 x 5 x 7A	6 x 6 x 7A
6	CASING	1							
	Casing 125/125# Drilling		180-8594-055	180-8586-055	180-8602-055	180-8614-055	180-8576-055	180-8580-055	180-8610-055
	Casing 125/250# Drilling		180-8595-055	180-8587-055	180-8603-055	180-8615-055	180-8577-055	180-8581-055	180-8611-055
	Casing 250/250# Drilling		180-8596-055	180-8588-055	180-8604-055	180-8616-055	180-8578-055	180-8582-055	180-8612-055
7	Case Wear Ring	1	676-8100-107	676-8100-107	676-8102-107	676-8104-107	676-8106-107	676-8118-107	676-8110-107
8	Gasket/O Ring (for SP/Casing - Upper)	1	364-8021-603	364-8021-603	364-8021-603	364-8021-603	364-8021-603	364-8021-603	364-8021-603
8A	Gasket/O R ing (for SP/Casing - Lower)	1	N/A	N/A	N/A	N/A	N/A	N/A	N/A
11	IMPELLER¹	1							
	Impeller Small Bore (S)		444-8100-104	444-3347-104	444-3349-104	444-8113-104	444-3341-104	444-3344-104	444-3353-104
	Impeller Large Bore (L)		N/A	444-3348-104	444-3350-104	444-8114-104	444-3342-104	444-3345-104	444-3354-104
	Impeller XL Bore (XL)		N/A	N/A	N/A	N/A	N/A	444-3346-104	444-3355-104
16	Wear Ring (Bracket/seal plate)	1	N/A	N/A	N/A	676-2167-107	676-2167-107	676-2170-107	676-2167-107
17	COUPLING GUARD	2							
	Coupling Guard for 143-145TC Motor		392-0795-114	392-0795-114	392-0795-114	392-0795-114	392-0795-114	392-0795-114	392-0795-114
	Coupling Guard for 182-184TC Motor		392-0795-114	392-0795-114	392-0795-114	392-0795-114	392-0795-114	392-0795-114	392-0795-114
	Coupling Guard for 213-215TC Motor		392-0795-114	392-0795-114	392-0795-114	392-0795-114	392-0795-114	392-0795-114	392-0795-114
	Coupling Guard for 254-256TC Motor		N/A	392-0796-114	392-0796-114	392-0796-114	392-0796-114	392-0796-114	392-0796-114
	Coupling Guard for 284-286TC Motor		N/A	N/A	N/A	392-0796-114	392-0796-114	392-0796-114	392-0796-114
	Coupling Guard for 324-326TC Motor		N/A	N/A	N/A	N/A	392-0796-114	392-0796-114	392-0796-114
	Coupling Guard for 364-365TC Motor		N/A	N/A	N/A	N/A	N/A	392-0797-114	392-0797-114
	Coupling Guard for 404-405TC Motor		N/A	N/A	N/A	N/A	N/A	N/A	N/A
	Coupling Guard for 444-449TC Motor		N/A	N/A	N/A	N/A	N/A	N/A	N/A
	Coupling Guard for 5010SD Motor		N/A	N/A	N/A	N/A	N/A	N/A	N/A
23	Impeller Wear Ring	1	N/A	N/A	N/A	N/A	N/A	N/A	N/A
35	BRACKET	1							
	Bracket for 143-145TC Motor		116-0711-010	116-0711-010	116-0711-010	116-0711-010	116-0711-010	116-0711-010	116-0711-010
	Bracket for 182-184TC Motor		116-0711-010	116-0711-010	116-0711-010	116-0711-010	116-0711-010	116-0711-010	116-0711-010
	Bracket for 213-215TC Motor		116-0711-010	116-0711-010	116-0711-010	116-0711-010	116-0711-010	116-0711-010	116-0711-010
	Bracket for 254-256TC Motor		N/A	116-0712-010	116-0712-010	116-0712-010	116-0712-010	116-0712-010	116-0712-010
	Bracket for 284-286TC Motor		N/A	N/A	N/A	116-0712-010	116-0712-010	116-0712-010	116-0712-010
	Bracket for 324-326TC Motor		N/A	N/A	N/A	N/A	116-0712-010	116-0712-010	116-0712-010
	Bracket for 364-365TC Motor		N/A	N/A	N/A	N/A	N/A	116-0713-010	116-0713-010
	Bracket for 404-405TC Motor		N/A	N/A	N/A	N/A	N/A	N/A	N/A
	Bracket for 444-449TC Motor		N/A	N/A	N/A	N/A	N/A	N/A	N/A
	Bracket for 5010SD Motor		N/A	N/A	N/A	N/A	N/A	N/A	N/A
35A	Seal Plate	1	N/A	N/A	N/A	N/A	N/A	N/A	N/A
40	SHAFT	1							
	Shaft for 143-215TC Motor		728-7527-107	728-7527-107	728-7527-107	728-7527-107	728-7527-107	728-7527-107	728-7527-107
	Shaft for 254-326TC Motor		N/A	728-7523-107	728-7523-107	728-7523-107	728-7523-107	728-7523-107	728-7523-107
	Shaft for 364-445TC Motor		N/A	N/A	N/A	N/A	N/A	728-7521-107	728-7521-107
44	GLAND	1							
	Gland Type 1/21 Seals (Standard) for 143-215TC Motor		372-0591-010	372-0591-010	372-0591-010	372-0591-010	372-0591-010	372-0591-010	372-0591-010
	Gland Type 1/21 Seals (Standard) for 254-326TC Motor		N/A	372-0590-010	372-0590-010	372-0590-010	372-0590-010	372-0590-010	372-0590-010
	Gland Type 1/21 Seals (Standard) for 364-449TC Motor		N/A	N/A	N/A	N/A	N/A	372-0589-010	372-0589-010
	Gland Type 8B2 seals (Optional) for 143-145TC Motor		372-0588-107	372-0588-107	372-0588-107	372-0588-107	372-0588-107	372-0588-107	372-0588-107
	Gland Type 8B2 seals (Optional) for 254-326TC Motor		N/A	372-0587-107	372-0587-107	372-0587-107	372-0587-107	372-0587-107	372-0587-107
	Gland Type 8B2 seals (Optional) for 364-449TC Motor		N/A	N/A	N/A	N/A	N/A	372-0586-107	372-0586-107
	COUPLING KIT	1							
	Coupling Kit for 143-145TC Motor		476-1556-646	476-1556-646	476-1556-646	476-1556-646	476-1556-646	476-1556-646	476-1556-646
	Coupling Kit for 182-184TC Motor		476-1557-646	476-1557-646	476-1557-646	476-1557-646	476-1557-646	476-1557-646	476-1557-646
	Coupling Kit for 213-215TC Motor		476-1558-646	476-1558-646	476-1558-646	476-1558-646	476-1558-646	476-1558-646	476-1558-646
	Coupling Kit for 254-256TC Motor		N/A	476-1528-646	476-1528-646	476-1528-646	476-1528-646	476-1528-646	476-1528-646
	Coupling Kit for 284-286TC Motor		N/A	N/A	N/A	476-1529-646	476-1529-646	476-1529-646	476-1529-646
	Coupling Kit for 324-326TC Motor		N/A	N/A	N/A	476-1787-646	476-1787-646	476-1787-646	476-1787-646
	Coupling Kit for 324-326TSC Motor		N/A	N/A	N/A	N/A	476-1530-646	476-1530-646	476-1530-646
	Coupling Kit for 324-326TSC Motor		N/A	N/A	N/A	N/A	476-1788-646	476-1788-646	476-1788-646
	Coupling Kit for 364-365TC Motor		N/A	N/A	N/A	N/A	N/A	476-1549-646	476-1549-646
	Coupling Kit for 364-365TSC Motor		N/A	N/A	N/A	N/A	N/A	476-1789-646	476-1789-646
	Coupling Kit for 404-405TC Motor		N/A	N/A	N/A	N/A	N/A	N/A	N/A
	Coupling Kit for 404-405TSC Motor		N/A	N/A	N/A	N/A	N/A	N/A	N/A
	Coupling Kit for 444-449TC Motor		N/A	N/A	N/A	N/A	N/A	N/A	N/A
	Coupling Kit for 444-449TSC Motor		N/A	N/A	N/A	N/A	N/A	N/A	N/A
	Coupling Kit for 5010SD Motor		N/A	N/A	N/A	N/A	N/A	N/A	N/A
	MECHANICAL SEAL KIT^{2,4}	1							
	Seal Kit Type 21 for 143-215TC Motor		476-1559-646	476-1559-646	476-1559-646	476-1559-646	476-1559-646	476-1559-646	476-1559-646
	Seal Kit Type 21 for 254-326TC Motor		N/A	476-1560-646	476-1560-646	476-1560-646	476-1560-646	476-1560-646	476-1560-646
	Seal Kit Type 21 for 364-449TC Motor		N/A	N/A	N/A	N/A	N/A	476-1561-646	476-1561-646
	Seal Kit Type 1 for 143-215TC Motor		476-1562-646	476-1562-646	476-1562-646	476-1562-646	476-1562-646	476-1562-646	476-1562-646
	Seal Kit Type 1 for 254-326TC Motor		N/A	476-1563-646	476-1563-646	476-1563-646	476-1563-646	476-1563-646	476-1563-646
	Seal Kit Type 1 for 364-449TC Motor		N/A	N/A	N/A	N/A	N/A	476-1564-646	476-1564-646
	Seal Kit Type 8B2 for 143-215TC Motor		476-1565-646	476-1565-646	476-1565-646	476-1565-646	476-1565-646	476-1565-646	476-1565-646
	Seal Kit Type 8B2 for 254-326TC Motor		N/A	476-1566-646	476-1566-646	476-1566-646	476-1566-646	476-1566-646	476-1566-646
	Seal Kit Type 8B2 for 364-449TC Motor		N/A	N/A	N/A	N/A	N/A	476-1567-646	476-1567-646

1.5 x 1.5 x 7 THROUGH 6 x 6 x 7A PART NUMBERS

PC. NO.	DESCRIPTION	QTY	1.5 x 1.5 x 7	2 x 2 x 7A	2.5 x 2.5 x 7A	3 x 3 x 7	4 x 4 x 7A	5 x 5 x 7A	6 x 6 x 7A
	OVERHAUL KIT ^{3,4}	1	476-1588-646						
	Overhaul Kit Type 21 for 143-215TC Motor		476-1584-646	476-1578-646	476-1650-646	476-1671-646	476-1550-646	476-1569-646	476-1716-646
	Overhaul Kit Type 21 for 254-326TC Motor		N/A	476-1579-646	476-1653-646	476-1674-646	476-1551-646	476-1570-646	476-1719-646
	Overhaul Kit Type 21 for 364-449TC Motor		N/A	N/A	N/A	N/A	N/A	476-1571-646	476-1722-646
	Overhaul Kit Type 1 for 143-215TC Motor		476-1585-646	476-1580-646	476-1651-646	476-1672-646	476-1552-646	476-1572-646	476-1717-646
	Overhaul Kit Type 1 for 254-326TC Motor		N/A	476-1581-646	476-1654-646	476-1675-646	476-1553-646	476-1573-646	476-1720-646
	Overhaul Kit Type 1 for 364-449TC Motor		N/A	N/A	N/A	N/A	N/A	476-1574-646	476-1723-646
	Overhaul Kit Type 8B2 for 143-215TC Motor		476-1586-646	476-1582-646	476-1652-646	476-1673-646	476-1554-646	476-1575-646	476-1718-646
	Overhaul Kit Type 8B2 for 254-326TC Motor		N/A	476-1583-646	476-1655-646	476-1676-646	476-1555-646	476-1576-646	476-1721-646
	Overhaul Kit Type 8B2 for 364-449TC Motor		N/A	N/A	N/A	N/A	N/A	476-1577-646	476-1724-646
	TYPE 8B2 SERVICE KIT (INCLUDED WITH PUMP)	1							
	Type 8B2 Service Kit for 143-215TC		476-1568-646	476-1568-646	476-1568-646	476-1568-646	476-1568-646	476-1568-646	476-1568-646
	Type 8B2 Service Kit for 254-326TC		N/A	476-1514-646	476-1514-646	476-1514-646	476-1514-646	476-1514-646	476-1514-646
	Type 8B2 Service Kit for 364-449TC		N/A	N/A	N/A	N/A	N/A	476-1515-646	476-1515-646

NOTES:

- The first 3 digits of the impeller part number "444" indicate a full trim impeller. A trimmed impeller would be "443".
- The Seal Kit would be a standard maintenance kit for the first two years. "1 to 2 years" should be considered for general guidance only.
- Overhaul Kit would be a standard maintenance kit for 3 to 5+ years. Frequency of service / replacement will be dependent on pump operating conditions, and can vary greatly between installations. "3 to 5+ years" should be considered for general guidance only.
- Seal Kit Material Code match Seal Material Code:
 - For 753 Seal (BUNA-N/CARBON/CERAMIC)
 - For 764 Seal (VITON/CARBON/CERAMIC); Not available with 8B2 Seal
 - For 769 Seal (EPR/CARBON/TUNGSTEN CARBIDE); Not available with 8B2 seal
 - For 720 Seal (VITON/CARBON/SILICON CARBIDE); Type 8B2 only

SEAL KIT CONTAINS	
PC. NO.	DESCRIPTION
8	Gasket/O-Ring(Casing/SP - Upper)
27	Mechanical Seal
42	Throttle Bush
43	Gland O-Ring

COUPLING KIT CONTAINS	
PC. NO.	DESCRIPTION
45	Split Coupling
20	Hex Socket Setscrew
48	Coupling Bolts(Socket Head)
49	Spring Lock Washer

OVERHAUL KIT CONTAINS	
PC. NO.	DESCRIPTION
7	Case Wear Ring
8	Gasket/O-Ring(Casing/SP - Upper)
9	Impeller Cap Screw
9C	Impeller Seal
12	Impeller Key
16	Wear Ring Seal Plate
27	Mechanical Seal
41	Retaining Ring
42	Throttle Bush
43	Gland O-Ring
53	Coupling Key(Pump)
54	Coupling Key(Motor)

TYPE 8B2 SERVICE KIT CONTAINS	
PC. NO.	DESCRIPTION
10	Jacking Plate
41	Retaining Ring

1.5 x 1.5 x 9.5 THROUGH 8 x 8 x 9.5A PART NUMBERS

PC. NO.	DESCRIPTION	QTY	1.5 x 1.5 x 9.5	2.5 x 2.5 x 9.5	3 x 3 x 9.5	4 x 4 x 9.5	5 x 5 x 9.5	6 x 6 x 9.5A	8 x 8 x 9.5A*	
6	CASING									
	Casing 125/125# Drilling	1	180-8606-055	180-8622-055	180-8642-055	180-8598-055	180-8638-055	180-8626-055	180-8654-055	
	Casing 125/250# Drilling		180-8607-055	180-8623-055	180-8643-055	180-8599-055	180-8639-055	180-8627-055	180-8655-055	
7	Casing 250/250# Drilling		180-8608-055	180-8624-055	180-8644-055	180-8600-055	180-8640-055	180-8628-055	180-8656-055	
	Case Wear Ring	1	676-8102-107	676-8102-107	676-8104-107	676-8107-107	676-8109-107	676-8111-107	676-8113-107	
8	Gasket/ O Ring (for SP/Casing - Upper)	1	364-8000-603	364-8000-603	364-8000-603	364-8000-603	364-8000-603	364-8000-603	364-8017-603	
8A	Gasket/ O Ring (for SP/Casing - Lower)	1	N/A	N/A	N/A	N/A	N/A	N/A	N/A	
11	IMPELLER¹									
	Impeller Small Bore(S)		444-3351-104	444-8107-104	444-8115-104	444-8122-104	444-8133-104	444-3359-104	N/A	
	Impeller Large Bore(L)		444-3352-104	444-8108-104	444-8116-104	444-8123-104	444-8134-104	444-3360-104	444-3374-104	
16	Impeller XL Bore(XL)		N/A	444-3358-104	444-8117-104	444-8124-104	444-8135-104	N/A	N/A	
	Wear Ring(Bracket/seal plate)	1	N/A	N/A	N/A	676-2165-107	676-2158-107	676-2158-107	676-2171-107	
17	COUPLING GUARD									
	Coupling Guard for 143-145TC Motor		392-0795-114	N/A	392-0795-114	392-0795-114	392-0795-114	392-0795-114	N/A	N/A
	Coupling Guard for 182-184TC Motor		392-0795-114	392-0795-114	392-0795-114	392-0795-114	392-0795-114	392-0795-114	392-0795-114	N/A
	Coupling Guard for 213-215TC Motor		392-0795-114	392-0795-114	392-0795-114	392-0795-114	392-0795-114	392-0795-114	N/A	
	Coupling Guard for 254-256TC Motor		392-0796-114	392-0796-114	392-0796-114	392-0796-114	392-0796-114	392-0796-114	392-0796-114	
	Coupling Guard for 284-286TC Motor		392-0796-114	392-0796-114	392-0796-114	392-0796-114	392-0796-114	392-0796-114	392-0796-114	
	Coupling Guard for 324-326TC Motor		N/A	392-0796-114	392-0796-114	392-0796-114	392-0796-114	N/A	392-0796-114	
	Coupling Guard for 364-365TC Motor		N/A	392-0797-114	392-0797-114	392-0797-114	392-0797-114	N/A	N/A	
	Coupling Guard for 404-405TC Motor		N/A	N/A	392-0797-114	392-0797-114	392-0797-114	N/A	N/A	
	Coupling Guard for 444-449TC Motor		N/A	N/A	N/A	392-0797-114	392-0797-114	N/A	N/A	
	Coupling Guard for 5010SD Motor		N/A	N/A	N/A	N/A	N/A	N/A	N/A	
23	Impeller Wear Ring	1	N/A	N/A	N/A	N/A	N/A	N/A	N/A	
35	BRACKET									
	Bracket for 143-145TC Motor		116-0714-010	N/A	116-0714-010	116-0714-010	116-0714-010	N/A	N/A	
	Bracket for 182-184TC Motor		116-0714-010	116-0714-010	116-0714-010	116-0714-010	116-0714-010	116-0714-010	N/A	
	Bracket for 213-215TC Motor		116-0714-010	116-0714-010	116-0714-010	116-0714-010	116-0714-010	116-0714-010	N/A	
	Bracket for 254-256TC Motor		116-0715-010	116-0715-010	116-0715-010	116-0715-010	116-0715-010	116-0715-010	116-0718-010	
	Bracket for 284-286TC Motor		116-0715-010	116-0715-010	116-0715-010	116-0715-010	116-0715-010	116-0715-010	116-0718-010	
	Bracket for 324-326TC Motor		N/A	116-0715-010	116-0715-010	116-0715-010	116-0715-010	N/A	116-0718-010	
	Bracket for 364-365TC Motor		N/A	116-0716-010	116-0716-010	116-0716-010	116-0716-010	N/A	N/A	
	Bracket for 404-405TC Motor		N/A	N/A	116-0716-010	116-0716-010	116-0716-010	N/A	N/A	
	Bracket for 444-449TC Motor		N/A	N/A	N/A	116-0716-010	116-0716-010	N/A	N/A	
Bracket for 5010SD Motor		N/A	N/A	N/A	N/A	N/A	N/A	N/A		
35A	Seal plate	1	N/A	N/A	N/A	N/A	N/A	N/A	N/A	
40	SHAFT									
	Shaft for 143-215TC Motor		728-7527-107	728-7527-107	728-7527-107	728-7527-107	728-7527-107	728-7527-107	N/A	
	Shaft for 254-326TC Motor		728-7523-107	728-7523-107	728-7523-107	728-7523-107	728-7523-107	728-7523-107	728-7523-107	
44	Shaft for 364-445TC Motor		N/A	728-7521-107	728-7521-107	728-7521-107	728-7521-107	N/A	N/A	
	GLAND									
	Gland Type 1 / 21 Seals(Standard) for 143-215TC Motor		372-0591-010	372-0591-010	372-0591-010	372-0591-010	372-0591-010	372-0591-010	N/A	
	Gland Type 1 / 21 Seals(Standard) for 254-326TC Motor		372-0590-010	372-0590-010	372-0590-010	372-0590-010	372-0590-010	372-0590-010	372-0590-010	
	Gland Type 1 / 21 Seals(Standard) for 364-449TC Motor		N/A	372-0589-010	372-0589-010	372-0589-010	372-0589-010	N/A	N/A	
	Gland Type 8B2 seals(Optional) for 143-145TC Motor		372-0588-107	372-0588-107	372-0588-107	372-0588-107	372-0588-107	372-0588-107	N/A	
	Gland Type 8B2 seals(Optional) for 254-326TC Motor		372-0587-107	372-0587-107	372-0587-107	372-0587-107	372-0587-107	372-0587-107	372-0587-107	
Gland Type 8B2 seals(Optional) for 364-449TC Motor		N/A	372-0586-107	372-0586-107	372-0586-107	372-0586-107	N/A	N/A		
47	COUPLING KIT									
	Coupling Kit for 143-145TC Motor		476-1556-646	N/A	476-1556-646	476-1556-646	476-1556-646	N/A	N/A	
	Coupling Kit for 182-184TC Motor		476-1557-646	476-1557-646	476-1557-646	476-1557-646	476-1557-646	476-1557-646	N/A	
	Coupling Kit for 213-215TC Motor		476-1558-646	476-1558-646	476-1558-646	476-1558-646	476-1558-646	476-1558-646	N/A	
	Coupling Kit for 254-256TC Motor		476-1528-646	476-1528-646	476-1528-646	476-1528-646	476-1528-646	476-1528-646	476-1528-646	
	Coupling Kit for 284-286TC Motor		476-1529-646	476-1529-646	476-1529-646	476-1529-646	476-1529-646	476-1529-646	476-1529-646	
	Coupling Kit for 284-286TSC Motor		476-1787-646	476-1787-646	476-1787-646	476-1787-646	476-1787-646	N/A	N/A	
	Coupling Kit for 324-326TC Motor		N/A	476-1530-646	476-1530-646	476-1530-646	476-1530-646	N/A	476-1530-646	
	Coupling Kit for 324-326TSC Motor		N/A	476-1788-646	476-1788-646	476-1788-646	476-1788-646	N/A	N/A	
	Coupling Kit for 364-365TC Motor		N/A	476-1531-646	476-1531-646	476-1531-646	476-1531-646	N/A	N/A	
	Coupling Kit for 364-365TSC Motor		N/A	476-1789-646	476-1789-646	476-1789-646	476-1789-646	N/A	N/A	
	Coupling Kit for 404-405TC Motor		N/A	N/A	476-1532-646	476-1532-646	476-1532-646	N/A	N/A	
	Coupling Kit for 404-405TSC Motor		N/A	N/A	476-1790-646	476-1790-646	476-1790-646	N/A	N/A	
	Coupling Kit for 444-449TC Motor		N/A	N/A	N/A	476-1533-646	476-1533-646	N/A	N/A	
	Coupling Kit for 444-449TSC Motor		N/A	N/A	N/A	476-1791-646	476-1791-646	N/A	N/A	
Coupling Kit for 5010SD Motor		N/A	N/A	N/A	N/A	N/A	N/A	N/A		
48	MECHANICAL SEAL KIT^{2,4}									
	Seal Kit Type 21 for 143-215TC Motor		476-1656-646	476-1656-646	476-1656-646	476-1656-646	476-1656-646	476-1656-646	N/A	
	Seal Kit Type 21 for 254-326TC Motor		476-1657-646	476-1657-646	476-1657-646	476-1657-646	476-1657-646	476-1657-646	476-1771-646	
	Seal Kit Type 21 for 364-449TC Motor		N/A	476-1658-646	476-1658-646	476-1658-646	476-1658-646	N/A	N/A	
	Seal Kit Type 1 for 143-215TC Motor		476-1659-646	476-1659-646	476-1659-646	476-1659-646	476-1659-646	476-1659-646	N/A	
	Seal Kit Type 1 for 254-326TC Motor		476-1660-646	476-1660-646	476-1660-646	476-1660-646	476-1660-646	476-1660-646	476-1773-646	
	Seal Kit Type 1 for 364-449TC Motor		N/A	476-1661-646	476-1661-646	476-1661-646	476-1661-646	N/A	N/A	
	Seal Kit Type 8B2 for 143-215TC Motor		476-1662-646	476-1662-646	476-1662-646	476-1662-646	476-1662-646	476-1662-646	N/A	
	Seal Kit Type 8B2 for 254-326TC Motor		476-1663-646	476-1663-646	476-1663-646	476-1663-646	476-1663-646	476-1663-646	476-1775-646	
	Seal Kit Type 8B2 for 364-449TC Motor		N/A	476-1664-646	476-1664-646	476-1664-646	476-1664-646	N/A	N/A	

* Temporarily unavailable until further notice.

1.5 x 1.5 x 9.5 THROUGH 8 x 8 x 9.5A PART NUMBERS

PC. NO.	DESCRIPTION	QTY	1.5 x 1.5 x 9.5	2.5 x 2.5 x 9.5	3 x 3 x 9.5	4 x 4 x 9.5	5 x 5 x 9.5	6 x 6 x 9.5A	8 x 8 x 9.5A*
	OVERHAUL KIT^{3,4}	1	476-1688-646						
	Overhaul Kit Type 21 for 143-215TC Motor		476-1665-646	476-1698-646	476-1755-646	476-1677-646	476-1707-646	476-1734-646	N/A
	Overhaul Kit Type 21 for 254-326TC Motor		476-1668-646	476-1701-646	476-1758-646	476-1680-646	476-1710-646	476-1737-646	476-1767-646
	Overhaul Kit Type 21 for 364-449TC Motor		N/A	476-1704-646	476-1761-646	476-1683-646	476-1713-646	N/A	N/A
	Overhaul Kit Type 1 for 143-215TC Motor		476-1666-646	476-1699-646	476-1756-646	476-1678-646	476-1708-646	476-1735-646	N/A
	Overhaul Kit Type 1 for 254-326TC Motor		476-1669-646	476-1702-646	476-1759-646	476-1681-646	476-1711-646	476-1738-646	476-1768-646
	Overhaul Kit Type 1 for 364-449TC Motor		N/A	476-1705-646	476-1762-646	476-1684-646	476-1714-646	N/A	N/A
	Overhaul Kit Type 8B2 for 143-215TC Motor		476-1667-646	476-1700-646	476-1757-646	476-1679-646	476-1709-646	476-1736-646	N/A
	Overhaul Kit Type 8B2 for 254-326TC Motor		476-1670-646	476-1703-646	476-1760-646	476-1682-646	476-1712-646	476-1739-646	476-1769-646
	Overhaul Kit Type 8B2 for 364-449TC Motor		N/A	476-1706-646	476-1763-646	476-1685-646	476-1715-646	N/A	N/A
	TYPE 8B2 SERVICE KIT (INCLUDED WITH PUMP)	1							
	Type 8B2 Service Kit for 143-215TC		476-1568-646	476-1568-646	476-1568-646	476-1568-646	476-1568-646	476-1568-646	N/A
	Type 8B2 Service Kit for 254-326TC		476-1514-646	476-1514-646	476-1514-646	476-1514-646	476-1514-646	476-1514-646	476-1514-646
	Type 8B2 Service Kit for 364-449TC		N/A	476-1515-646	476-1515-646	476-1515-646	476-1515-646	N/A	N/A

* Temporarily unavailable until further notice.

NOTES:

- The first 3 digits of the impeller part number "444" indicate a full trim impeller. A trimmed impeller would be "443".
- The Seal Kit would be a standard maintenance kit for the first two years. "1 to 2 years" should be considered for general guidance only.
- Overhaul Kit would be a standard maintenance kit for 3 to 5+ years. Frequency of service / replacement will be dependent on pump operating conditions, and can vary greatly between installations. "3 to 5+ years" should be considered for general guidance only.
- Seal Kit Material Code match Seal Material Code:
 - For 753 Seal (BUNA-N/CARBON/CERAMIC)
 - For 764 Seal (VITON/CARBON/CERAMIC); Not available with 8B2 Seal
 - For 769 Seal (EPR/CARBON/TUNGSTEN CARBIDE); Not available with 8B2 seal
 - For 720 Seal (VITON/CARBON/SILICON CARBIDE); Type 8B2 only

SEAL KIT CONTAINS	
PC. NO.	DESCRIPTION
8	Gasket/O-Ring(Casing/SP - Upper)
27	Mechanical Seal
42	Throttle Bush
43	Gland O-Ring

COUPLING KIT CONTAINS	
PC. NO.	DESCRIPTION
45	Split Coupling
20	Hex Socket Setscrew
48	Coupling Bolts(Socket Head)
49	Spring Lock Washer

OVERHAUL KIT CONTAINS	
PC. NO.	DESCRIPTION
7	Case Wear Ring
8	Gasket/O-Ring(Casing/SP - Upper)
9	Impeller Cap Screw
9C	Impeller Seal
12	Impeller Key
16	Wear Ring Seal Plate
27	Mechanical Seal
41	Retaining Ring
42	Throttle Bush
43	Gland O-Ring
53	Coupling Key(Pump)
54	Coupling Key(Motor)

TYPE 8B2 SERVICE KIT CONTAINS	
PC. NO.	DESCRIPTION
10	Jacking Plate
41	Retaining Ring

2 x 2 x 11 THROUGH 8 x 8 x 11A PART NUMBERS

PC. NO.	DESCRIPTION	QTY	2 x 2 x 11	3 x 3 x 11A	4 x 4 x 11	5 x 5 x 11A	6 x 6 x 11	8 x 8 x 11A
	OVERHAUL KIT^{3,4}	1						
	Overhaul Kit Type 21 for 143-215TC Motor		476-1596-646	476-1605-646	476-1614-646	476-1623-646	476-1632-646	476-1641-646
	Overhaul Kit Type 21 for 254-326TC Motor		476-1599-646	476-1608-646	476-1617-646	476-1626-646	476-1635-646	476-1642-646
	Overhaul Kit Type 21 for 364-449TC Motor		N/A	476-1611-646	476-1620-646	476-1629-646	476-1638-646	476-1643-646
	Overhaul Kit Type 1 for 143-215TC Motor		476-1597-646	476-1606-646	476-1615-646	476-1624-646	476-1633-646	476-1644-646
	Overhaul Kit Type 1 for 254-326TC Motor		476-1600-646	476-1609-646	476-1618-646	476-1627-646	476-1636-646	476-1645-646
	Overhaul Kit Type 1 for 364-449TC Motor		N/A	476-1612-646	476-1621-646	476-1630-646	476-1639-646	476-1646-646
	Overhaul Kit Type 8B2 for 143-215TC Motor		476-1598-646	476-1607-646	476-1616-646	476-1625-646	476-1634-646	476-1647-646
	Overhaul Kit Type 8B2 for 254-326TC Motor		476-1601-646	476-1610-646	476-1619-646	476-1628-646	476-1637-646	476-1648-646
	Overhaul Kit Type 8B2 for 364-449TC Motor		N/A	476-1613-646	476-1622-646	476-1631-646	476-1640-646	476-1649-646
	TYPE 8B2 SERVICE KIT (INCLUDED WITH PUMP)	1						
	Type 8B2 Service Kit for 143-215TC		476-1568-646	476-1568-646	476-1568-646	476-1568-646	476-1568-646	476-1568-646
	Type 8B2 Service Kit for 254-326TC		476-1514-646	476-1514-646	476-1514-646	476-1514-646	476-1514-646	476-1514-646
	Type 8B2 Service Kit for 364-449TC		N/A	476-1515-646	476-1515-646	476-1515-646	476-1515-646	476-1515-646

NOTES:

- The first 3 digits of the impeller part number "444" indicate a full trim impeller. A trimmed impeller would be "443"
- The Seal Kit would be a standard maintenance kit for the first two years. "1 to 2 years" should be considered for general guidance only.
- Overhaul Kit would be a standard maintenance kit for 3 to 5+ years. Frequency of service / replacement will be dependent on pump operating conditions, and can vary greatly between installations. "3 to 5+ years" should be considered for general guidance only.
- Seal Kit Material Code match Seal Material Code:
 - For 753 Seal (BUNA-N/CARBON/CERAMIC)
 - For 764 Seal (VITON/CARBON/CERAMIC); Not available with 8B2 Seal
 - For 769 Seal (EPR/CARBON/TUNGSTEN CARBIDE); Not available with 8B2 seal
 - For 720 Seal (VITON/CARBON/SILICON CARBIDE); Type 8B2 only

SEAL KIT CONTAINS	
PC. NO.	DESCRIPTION
8	Gasket/O-Ring(Casing/SP - Upper)
27	Mechanical Seal
42	Throttle Bush
43	Gland O-Ring

COUPLING KIT CONTAINS	
PC. NO.	DESCRIPTION
45	Split Coupling
20	Hex Socket Setscrew
48	Coupling Bolts(Socket Head)
49	Spring Lock Washer

OVERHAUL KIT CONTAINS	
PC. NO.	DESCRIPTION
7	Case Wear Ring
8	Gasket/O-Ring(Casing/SP - Upper)
9	Impeller Cap Screw
9C	Impeller Seal
12	Impeller Key
16	Wear Ring Seal Plate
27	Mechanical Seal
41	Retaining Ring
42	Throttle Bush
43	Gland O-Ring
53	Coupling Key(Pump)
54	Coupling Key(Motor)

TYPE 8B2 SERVICE KIT CONTAINS	
PC. NO.	DESCRIPTION
10	Jacking Plate
41	Retaining Ring

3 x 3 x 13.5 THROUGH 10 x 10 x 13.5A PART NUMBERS

PC. NO.	DESCRIPTION	QTY	3 x 3 x 13.5	4 x 4 x 13.5	5 x 5 x 13.5	6 x 6 x 13.5	8 x 8 x 13.5A	10 x 10 x 13.5A
6	CASING	1						
	Casing 125/125# Drilling		180-8618-055	180-8658-055	180-8650-055	180-8634-055	180-2818-055	180-2815-055
	Casing 125/250# Drilling		180-8619-055	180-8659-055	180-8651-055	180-8635-055	180-2819-055	180-2816-055
7	Casing 250/250# Drilling	1	180-8620-055	180-8660-055	180-8652-055	180-8636-055	180-2820-055	180-2817-055
	Case Wear Ring		676-8105-107	676-8108-107	676-8109-107	676-8112-107	676-2151-107	676-8115-107
8	Gasket/ O Ring (for SP/Casing - Upper)	1	364-8011-603	364-8011-603	364-8011-603	364-8011-603	364-8011-603	364-8011-603
8A	Gasket/ O Ring (for SP/Casing - Lower)	1	N/A	N/A	N/A	N/A	N/A	N/A
11	IMPELLER¹	1						
	Impeller Small Bore (S)		444-8118-104	444-3378-104	N/A	N/A	N/A	N/A
	Impeller Large Bore (L)		444-8119-104	444-8129-104	444-8139-104	444-8150-104	444-3304-104	444-3306-104
16	Impeller XL Bore (XL)	1	N/A	N/A	N/A	444-8151-104	444-3305-104	444-3307-104
	Wear Ring (Bracket/Seal Plate)		N/A	676-2169-107	676-2169-107	676-2166-107	676-2168-107	676-8115-107
17	COUPLING GUARD	2						
	Coupling Guard for 143-145TC Motor		392-0792-114	N/A	N/A	N/A	N/A	N/A
	Coupling Guard for 182-184TC Motor		392-0792-114	392-0792-114	N/A	N/A	N/A	N/A
	Coupling Guard for 213-215TC Motor		392-0792-114	392-0792-114	N/A	N/A	N/A	N/A
	Coupling Guard for 254-256TC Motor		392-0791-114	392-0791-114	392-0791-114	392-0791-114	392-0791-114	392-0791-114
	Coupling Guard for 284-286TC Motor		392-0791-114	392-0791-114	392-0791-114	392-0791-114	392-0791-114	392-0791-114
	Coupling Guard for 324-326TC Motor		392-0791-114	392-0791-114	392-0791-114	392-0791-114	392-0791-114	392-0791-114
	Coupling Guard for 364-365TC Motor		N/A	N/A	N/A	392-0793-114	392-0790-114	392-0790-114
	Coupling Guard for 404-405TC Motor		N/A	N/A	N/A	N/A	392-0790-114	392-0790-114
	Coupling Guard for 444-449TC Motor		N/A	N/A	N/A	N/A	392-0790-114	392-0790-114
23	Coupling Guard for 5010SD Motor	1	N/A	N/A	N/A	N/A	N/A	
35	BRACKET	1						
	Bracket for 143-145TC Motor		116-0720-010	N/A	N/A	N/A	N/A	N/A
	Bracket for 182-184TC Motor		116-0720-010	116-0720-010	N/A	N/A	N/A	N/A
	Bracket for 213-215TC Motor		116-0720-010	116-0720-010	N/A	N/A	N/A	N/A
	Bracket for 254-256TC Motor		116-0721-010	116-0721-010	116-0721-010	116-0721-010	116-0705-010	116-0705-010
	Bracket for 284-286TC Motor		116-0721-010	116-0721-010	116-0721-010	116-0721-010	116-0705-010	116-0705-010
	Bracket for 324-326TC Motor		116-0721-010	116-0721-010	116-0721-010	116-0721-010	116-0705-010	116-0705-010
	Bracket for 364-365TC Motor		N/A	N/A	N/A	116-0722-010	116-0704-010	116-0704-010
	Bracket for 404-405TC Motor		N/A	N/A	N/A	N/A	116-0704-010	116-0704-010
	Bracket for 444-449TC Motor		N/A	N/A	N/A	N/A	116-0704-010	116-0704-010
35A	Bracket for 5010SD Motor	1	N/A	N/A	N/A	N/A	N/A	
40	SHAFT	1						
	Shaft for 143-215TC Motor		728-7527-107	728-7527-107	N/A	N/A	N/A	N/A
	Shaft for 254-326TC Motor		728-7523-107	728-7523-107	728-7523-107	728-7523-107	728-7523-107	728-7523-107
44	Shaft for 364-445TC Motor	1	N/A	N/A	N/A	728-7521-107	728-7521-107	728-7521-107
	GLAND							
44	Gland Type 1/ 21 Seals (Standard) for 143-215TC Motor	1	372-0591-010	372-0591-010	N/A	N/A	N/A	N/A
	Gland Type 1/ 21 Seals (Standard) for 254-326TC Motor		372-0590-010	372-0590-010	372-0590-010	372-0590-010	372-0590-010	372-0590-010
	Gland Type 1/ 21 Seals (Standard) for 364-449TC Motor		N/A	N/A	N/A	372-0589-010	372-0589-010	372-0589-010
	Gland Type 8B2 seals (Optional) for 143-145TC Motor		372-0588-107	372-0588-107	N/A	N/A	N/A	N/A
	Gland Type 8B2 seals (Optional) for 254-326TC Motor		372-0587-107	372-0587-107	372-0587-107	372-0587-107	372-0587-107	372-0587-107
	Gland Type 8B2 seals (Optional) for 364-449TC Motor		N/A	N/A	N/A	372-0586-107	372-0586-107	372-0586-107
40	COUPLING KIT	1						
	Coupling Kit for 143-145TC Motor		476-1556-646	N/A	N/A	N/A	N/A	N/A
	Coupling Kit for 182-184TC Motor		476-1557-646	476-1557-646	N/A	N/A	N/A	N/A
	Coupling Kit for 213-215TC Motor		476-1558-646	476-1558-646	N/A	N/A	N/A	N/A
	Coupling Kit for 254-256TC Motor		476-1528-646	476-1528-646	476-1528-646	476-1528-646	476-1528-646	476-1528-646
	Coupling Kit for 284-286TC Motor		476-1529-646	476-1529-646	476-1529-646	476-1529-646	476-1529-646	476-1529-646
	Coupling Kit for 284-286TSC Motor		N/A	N/A	N/A	N/A	N/A	N/A
	Coupling Kit for 324-326TC Motor		476-1530-646	476-1530-646	476-1530-646	476-1530-646	476-1530-646	476-1530-646
	Coupling Kit for 324-326TSC Motor		N/A	N/A	N/A	N/A	N/A	N/A
	Coupling Kit for 364-365TC Motor		N/A	N/A	N/A	476-1531-646	476-1531-646	476-1531-646
	Coupling Kit for 364-365TSC Motor		N/A	N/A	N/A	N/A	N/A	N/A
	Coupling Kit for 404-405TC Motor		N/A	N/A	N/A	N/A	476-1532-646	476-1532-646
	Coupling Kit for 404-405TSC Motor		N/A	N/A	N/A	N/A	N/A	N/A
	Coupling Kit for 444-449TC Motor		N/A	N/A	N/A	N/A	476-1533-646	476-1533-646
Coupling Kit for 444-449TSC Motor	N/A	N/A	N/A	N/A	N/A	N/A		
40	Coupling Kit for 5010SD Motor	1	N/A	N/A	N/A	N/A	N/A	
40	MECHANICAL SEAL KIT^{2,4}	1						
	Seal Kit Type 21 for 143-215TC Motor		476-1695-646	476-1695-646	N/A	N/A	N/A	N/A
	Seal Kit Type 21 for 254-326TC Motor		476-1534-646	476-1534-646	476-1534-646	476-1534-646	476-1534-646	476-1534-646
	Seal Kit Type 21 for 364-449TC Motor		N/A	N/A	N/A	476-1535-646	476-1535-646	476-1535-646
	Seal Kit Type 1 for 143-215TC Motor		476-1696-646	476-1696-646	N/A	N/A	N/A	N/A
	Seal Kit Type 1 for 254-326TC Motor		476-1536-646	476-1536-646	476-1536-646	476-1536-646	476-1536-646	476-1536-646
	Seal Kit Type 1 for 364-449TC Motor		N/A	N/A	N/A	476-1537-646	476-1537-646	476-1537-646
	Seal Kit Type 8B2 for 143-215TC Motor		476-1697-646	476-1697-646	N/A	N/A	N/A	N/A
	Seal Kit Type 8B2 for 254-326TC Motor		476-1538-646	476-1538-646	476-1538-646	476-1538-646	476-1538-646	476-1538-646
	Seal Kit Type 8B2 for 364-449TC Motor		N/A	N/A	N/A	476-1539-646	476-1539-646	476-1539-646

3 x 3 x 13.5 THROUGH 10 x 10 x 13A PART NUMBERS

PC. NO.	DESCRIPTION	QTY	3 x 3 x 13.5	4 x 4 x 13.5	5 x 5 x 13.5	6 x 6 x 13.5	8 x 8 x 13.5A	10 x 10 x 13.5A
	OVERHAUL KIT ^{3,4}	1	476-1749-646					
	Overhaul Kit Type 21 for 143-215TC Motor		476-1749-646	476-1743-646	N/A	N/A	N/A	N/A
	Overhaul Kit Type 21 for 254-326TC Motor		476-1752-646	476-1746-646	476-1689-646	476-1728-646	476-1522-646	476-1516-646
	Overhaul Kit Type 21 for 364-449TC Motor		N/A	N/A	N/A	476-1731-646	476-1523-646	476-1517-646
	Overhaul Kit Type 1 for 143-215TC Motor		476-1750-646	476-1744-646	N/A	N/A	N/A	N/A
	Overhaul Kit Type 1 for 254-326TC Motor		476-1753-646	476-1747-646	476-1690-646	476-1729-646	476-1524-646	476-1518-646
	Overhaul Kit Type 1 for 364-449TC Motor		N/A	N/A	N/A	476-1732-646	476-1525-646	476-1519-646
	Overhaul Kit Type 8B2 for 143-215TC Motor		476-1751-646	476-1745-646	N/A	N/A	N/A	N/A
	Overhaul Kit Type 8B2 for 254-326TC Motor		476-1754-676	476-1748-676	476-1691-646	476-1730-646	476-1526-646	476-1520-646
	Overhaul Kit Type 8B2 for 364-449TC Motor		N/A	N/A	N/A	476-1733-646	476-1527-646	476-1521-646
	TYPE 8B2 SERVICE KIT (INCLUDED WITH PUMP)	1						
	Type 8B2 Service Kit for 143-215TC		476-1568-646	476-1568-646	N/A	N/A	N/A	N/A
	Type 8B2 Service Kit for 254-326TC		476-1514-646	476-1514-646	476-1514-646	476-1514-646	476-1514-646	476-1514-646
	Type 8B2 Service Kit for 364-449TC		N/A	N/A	N/A	476-1515-646	476-1515-646	476-1515-646

NOTES:

- The first 3 digits of the impeller part number "444" indicate a full trim impeller. A trimmed impeller would be "443".
- Seal Kit would be a standard maintenance for the first 1 to 2 years. Frequency of service / replacement will be dependent on pump operating conditions, and can vary greatly between installations. "1 to 2 years" should be considered for general guidance only.
- Overhaul Kit would be a standard maintenance for 3 to 5+ years. Frequency of service / replacement will be dependent on pump operating conditions, and can vary greatly between installations. "3 to 5+ years" should be considered for general guidance only.
- Seal Kit Material Code match Seal Material Code:
 - For 753 Seal (BUNA-N/CARBON/CERAMIC)
 - For 764 Seal (VITON/CARBON/CERAMIC); Not available with 8B2 Seal
 - For 769 Seal (EPR/CARBON/TUNGSTEN CARBIDE); Not available with 8B2 seal
 - For 720 Seal (VITON/CARBON/SILICON CARBIDE); Type 8B2 only

SEAL KIT CONTAINS	
PC. NO.	DESCRIPTION
8	Gasket/O-Ring(Casing/SP - Upper)
27	Mechanical Seal
42	Throttle Bush
43	Gland O-Ring

COUPLING KIT CONTAINS	
PC. NO.	DESCRIPTION
45	Split Coupling
20	Hex Socket Setscrew
48	Coupling Bolts(Socket Head)
49	Spring Lock Washer

OVERHAUL KIT CONTAINS	
PC. NO.	DESCRIPTION
7	Case Wear Ring
8	Gasket/O-Ring(Casing/SP - Upper)
9	Impeller Cap Screw
9C	Impeller Seal
12	Impeller Key
16	Wear Ring Seal Plate
27	Mechanical Seal
41	Retaining Ring
42	Throttle Bush
43	Gland O-Ring
53	Coupling Key(Pump)
54	Coupling Key(Motor)

TYPE 8B2 SERVICE KIT CONTAINS	
PC. NO.	DESCRIPTION
10	Jacking Plate
41	Retaining Ring

10 x 10 x 14 THROUGH 14 x 14 x 18 PART NUMBERS

PC. NO.	DESCRIPTION	QTY	10 x 10 x 14	10 x 10 x 19	12 x 12 x 14	12 x 12 x 18	14 x 14 x 15	14 x 14 x 18
6	CASING	1						
	Casing 125/125# Drilling		180-8416-055	180-8469-055	180-8471-055	180-8470-055	180-8473-055	180-8472-055
	Casing 250/250# Drilling		180-8474-055	180-8476-055	180-8475-055	180-8477-055	180-8478-055	180-8479-055
7	Case Wear Ring	1	676-2172-107	676-2175-107	676-2177-107	676-2177-107	676-2181-107	676-2179-107
8	Gasket/ O Ring (for SP/Casing - Upper)	1	364-0579-494	364-7533-603	364-0529-494	364-2210-494	364-0579-494	364-2210-494
8A	Gasket/ O Ring (for SP/Casing - Lower)	1	364-1757-494	N/A	364-0528-494	364-0018-494	364-0552-494	364-0018-494
11	IMPELLER²	1						
	Impeller (standard)		443-3283-104	443-3314-104	443-3290-104	443-3286-104	443-3302-104	443-3300-104
	Impeller w/ Wear Rings (optional)		443-3280-104	443-3315-104	443-3291-104	443-3287-104	443-3303-104	443-3301-104
16	Wear Ring (Bracket/seal plate)	1	676-2172-107	676-2183-107	676-2177-107	676-2177-107	676-2181-107	676-2179-107
17	COUPLING GUARD	2						
	Coupling Guard for 284-286TC Motor		N/A	N/A	392-0768-114	N/A	N/A	N/A
	Coupling Guard for 324-326TC Motor		392-0772-114	N/A	392-0772-114	N/A	392-0772-114	N/A
	Coupling Guard for 364-365TC Motor		392-0771-114	392-0771-114	392-0771-114	392-0771-114	392-0771-114	N/A
	Coupling Guard for 404-405TC Motor		392-0770-114	392-0770-114	392-0770-114	392-0770-114	392-0770-114	392-0770-114
	Coupling Guard for 444-449TC Motor		392-0769-114	392-0769-114	392-0769-114	392-0769-114	392-0769-114	392-0769-114
	Coupling Guard for 5010SD Motor		N/A	392-0773-114	N/A	392-0773-114	392-0773-114	
23	Impeller Wear Ring (optional) ¹	2	676-2173-104	676-2176-1041/ 676-2184-10413	676-2178-104	676-2178-104	676-2182-104	676-2180-104
35	BRACKET	1						
	Bracket for 284-286TC Motor		N/A	N/A	116-0692-010	N/A	N/A	N/A
	Bracket for 324-326TC Motor		116-0688-010	N/A	116-0688-010	N/A	116-0688-010	N/A
	Bracket for 364-365TC Motor		116-0687-010	116-0687-010	116-0687-010	116-0687-010	116-0687-010	N/A
	Bracket for 404-405TC Motor		116-0686-010	116-0686-010	116-0686-010	116-0686-010	116-0686-010	116-0686-010
	Bracket for 444-449TC Motor		116-0685-010	116-0685-010	116-0685-010	116-0685-010	116-0685-010	116-0685-010
	Bracket for 5010SD Motor		N/A	116-0693-010	N/A	116-0693-010	116-0693-010	
35A	SEAL PLATE	1						
	Seal Plate Type 1/ 21 Seals (standard)		812-1144-010	812-1160-010	812-1146-010	812-1154-010	812-1158-010	812-1156-010
	Seal Plate Type 8B2 Seals (optional)		812-1145-010	812-1161-010	812-1147-010	812-1155-010	812-1157-010	
40	Shaft	1	728-7519-107	728-7518-107	728-7517-107	728-7516-107	728-7520-107	728-7520-107
44	GLAND	1						
	Gland Type 1/ 21 Seals (standard)		372-0581-010	372-0581-010	372-0581-010	372-0581-010	372-0578-010	372-0578-010
	Gland Type 8B2 Seals (optional)		372-0582-107	372-0582-107	372-0582-107	372-0582-107	372-0580-107	
	COUPLING KIT	1						
	Coupling Kit for 284-286TC Motor		N/A	N/A	476-1776-646	N/A	N/A	N/A
	Coupling Kit for 324-326TC Motor		476-1777-646	N/A	476-1777-646	N/A	476-1778-646	N/A
	Coupling Kit for 364-365TC Motor		476-1779-646	476-1779-646	476-1779-646	476-1779-646	476-1780-646	N/A
	Coupling Kit for 404-405TC Motor		476-1781-646	476-1781-646	476-1781-646	476-1781-646	476-1782-646	476-1782-646
	Coupling Kit for 444-449TC Motor		476-1783-646	476-1783-646	476-1783-646	476-1783-646	476-1784-646	476-1784-646
	Coupling Kit for 5010SD Motor		N/A	476-1785-646	N/A	476-1785-646	476-1786-646	
	MECHANICAL SEAL KIT^{3,5}	1						
	Seal Kit Type 21		476-1450-646	476-1451-646	476-1452-646	476-1453-646	N/A	N/A
	Seal Kit Type 1		476-1454-646	476-1455-646	476-1456-646	476-1457-646	476-1458-646	476-1459-646
	Seal Kit Type 8B2		476-1460-646	476-1461-646	476-1462-646	476-1463-646	476-1464-646	476-1465-646
	OVERHAUL KIT^{4,5}	1						
	Overhaul Kit Type 21		476-1470-646	476-1471-646	476-1472-646	476-1473-646	N/A	N/A
	Overhaul Kit Type 1		476-1474-646	476-1475-646	476-1476-646	476-1477-646	476-1478-646	476-1479-646
	Overhaul Kit Type 8B2		476-1480-646	476-1481-646	476-1482-646	476-1483-646	476-1484-646	476-1485-646
	Type 8B2 Service Kit (included with pump)	1	476-1489-646	476-1489-646	476-1490-646	476-1490-646	476-1491-646	

NOTES:

- The 10x10x19 has 2 different impeller wear rings part numbers (1 each), all other sizes use 2 of the same part number.
- The first 3 digits of the impeller part number "443" indicate a full trim impeller, a trimmed impeller would be "444".
- Seal Kit would be a standard maintenance for the first 1 to 2 years. Frequency of service / replacement will be dependent on pump operating conditions, and can vary greatly between installations. "1 to 2 years" should be considered for general guidance only.
- Overhaul Kit would be a standard maintenance for 3 to 5+ years. Frequency of service / replacement will be dependent on pump operating conditions, and can vary greatly between installations. "3 to 5+ years" should be considered for general guidance only.
- Seal Kit Material Code match Seal Material Code:
 - For 753 Seal (BUNA-N/CARBON/CERAMIC)
 - For 764 Seal (VITON/CARBON/CERAMIC); Not available with 8B2 Seal
 - For 769 Seal (EPR/CARBON/TUNGSTEN CARBIDE); Not available with 8B2 seal
 - For 720 Seal (VITON/CARBON/SILICON CARBIDE); Type 8B2 only

10 x 10 x 14 THROUGH 14 x 14 x 18 PART NUMBERS

SEAL KIT CONTAINS	
PC. NO.	DESCRIPTION
8	Gasket/O-Ring(Casing/SP - Upper)
8A	Gasket/O-Ring(Casing/SP - Lower)*
27	Mechanical Seal
42	Throttle Bush
43	Gland O-Ring

TYPE 8B2 SERVICE KIT CONTAINS	
PC. NO.	DESCRIPTION
10	Jacking Plate
41	Retaining Ring

COUPLING KIT CONTAINS	
PC. NO.	DESCRIPTION
45	Split Coupling
20	Hex Socket Setscrew
48	Coupling Bolts(Socket Head)
49	Spring Lock Washer
50	Hex Nut

OVERHAUL KIT CONTAINS	
PC. NO.	DESCRIPTION
7	Case Wear Ring
8	Gasket/O-Ring(Casing/SP - Upper)
8A	Gasket/O-Ring(Casing/SP - Lower)*
9	Impeller bolt
9C	Impeller Seal
12	Impeller Key
13	Spire Bush*
16	Wear Ring Seal Plate
25A	Spire Sleeve*
27	Mechanical Seal
41	Retaining Ring
42	Throttle bush
43	Gland O-Ring
53	Coupling Key(Pump)
54	Coupling Key(Motor)

*Marked components are not used in 10x10x19 pump

STANDARD LIMITED WARRANTY

Seller warrants equipment (and its component parts) of its own manufacture against defects in materials and workmanship under normal use and service for one (1) year from the date of installation or start-up, or for eighteen (18) months after the date of shipment, whichever occurs first. Seller does not warrant accessories or components that are not manufactured by Seller; however, to the extent possible, Seller agrees to assign to Buyer its rights under the original manufacturer's warranty, without recourse to Seller. Buyer must give Seller notice in writing of any alleged defect covered by this warranty (together with all identifying details, including the serial number, the type of equipment, and the date of purchase) within thirty (30) days of the discovery of such defect during the warranty period. No claim made more than 30 days after the expiration of the warranty period shall be valid. Guarantees of performance and warranties are based on the use of original equipment manufacturer (OEM) replacement parts. Seller assumes no responsibility or liability if alterations, non-authorized design modifications and/or non-OEM replacement parts are incorporated. If requested by Seller, any equipment (or its component parts) must be promptly returned to Seller prior to any attempted repair, or sent to an authorized service station designated by Seller, and Buyer shall prepay all shipping expenses. Seller shall not be liable for any loss or damage to goods in transit, nor will any warranty claim be valid unless the returned goods are received intact and undamaged as a result of shipment. Repaired or replaced material returned to customer will be shipped F.O.B., Seller's factory. Seller will not give Buyer credit for parts or equipment returned to Seller, and will not accept delivery of any such parts or equipment, unless Buyer has obtained Seller's approval in writing. The warranty extends to repaired or replaced parts of Seller's manufacture for ninety (90) days or for the remainder of the original warranty period applicable to the equipment or parts being repaired or replaced, whichever is greater. This warranty applies to the repaired or replaced part and is not extended to the product or any other component of the product being repaired. Repair parts of its own manufacture sold after the original warranty period are warranted for a period of one (1) year from shipment against defects in materials and workmanship under normal use and service. This warranty applies to the replacement part only and is not extended to the product or any other component of the product being repaired. Seller may substitute new equipment or improve part(s) of any equipment judged defective without further liability. All repairs or services performed by Seller, which are not covered by this warranty, will be charged in accordance with Seller's standard prices then in effect.

THIS WARRANTY IS THE SOLE WARRANTY OF SELLER AND SELLER HEREBY EXPRESSLY DISCLAIMS AND BUYER WAIVES ALL OTHER WARRANTIES EXPRESSED, IMPLIED IN LAW OR IMPLIED IN FACT, INCLUDING ANY WARRANTIES OF MERCHANTABILITY OR FITNESS FOR A PARTICULAR PURPOSE. Seller's sole obligation under this warranty shall be, at its option, to repair or replace any equipment (or its component parts) which has a defect covered by this warranty, or to refund the purchase price of such equipment or part. Under the terms of this warranty, Seller shall not be liable for (a) consequential, collateral, special or liquidated losses or damages; (b) equipment conditions caused by normal wear and tear, abnormal conditions of use, accident, neglect, or misuse of said equipment; (c) the expense of, and loss or damage caused by, repairs or alterations made by anyone other than the Seller; (d) damage caused by abrasive materials, chemicals, scale deposits, corrosion, lightning, improper voltage, mishandling, or other similar conditions; (e) any loss, damage, or expense relating to or resulting from installation, removal or reinstallation of equipment; (f) any labor costs or charges incurred in repairing or replacing defective equipment or parts, including the cost of reinstalling parts that are repaired or replaced by Seller; (g) any expense of shipment of equipment or repaired or replacement parts; or (h) any other loss, damage or expense of any nature.

The above warranty shall not apply to any equipment which may be separately covered by any alternate or special warranties.

PERFORMANCE: In the absence of Certified Pump Performance Tests, equipment performance is not warranted or guaranteed. Performance curves and other information submitted to Buyer are approximate and no warranty or guarantee shall be deemed to arise as a result of such submittal. All testing shall be done in accordance with Seller's standard policy under Hydraulic Institute procedures.

LIABILITY LIMITATIONS: Under no circumstances shall the Seller have any liability under the Order or otherwise for liquidated damages or for collateral, consequential or special damages or for loss of profits, or for actual losses or for loss of production or progress of construction, regardless of the cause of such damages or losses. In any event, Seller's aggregate total liability under the Order or otherwise shall not exceed the contract price.

ACTS OF GOD: Seller shall in no event be liable for delays in delivery of the equipment or other failures to perform caused by fires, acts of God, strikes, labor difficulties, acts of governmental or military authorities, delays in transportation or procuring materials, or causes of any kind beyond Seller's control.

COMPLIANCE WITH LAW: Seller agrees to comply with all United States laws and regulations applicable to the manufacturing of the subject equipment. Such compliance shall include: The Fair Labor Standards Acts of 1938, as amended; Equal Employment Opportunity clauses of Executive Order 11246, as amended; Occupational Safety and Health Act of 1970 and the standards promulgated thereunder, if applicable. Since compliance with the various Federal, State, and Local laws and regulations concerning occupational health and safety, pollution or local codes are affected by the use, installation and operation of the equipment and other matters over which Seller has no control, Seller assumes no responsibility for compliance with those laws and regulations, whether by way of indemnity, warranty, or otherwise. It is incumbent upon the Buyer to specify equipment which complies with local codes and ordinances.



800 Airport Road | North Aurora, Illinois 60542 | Ph: 630.859.7000 | pentair.com

For a detailed list of where Pentair trademarks are registered, please visit www.pentair.com/en/registrations.html. Pentair trademarks and logos are owned by Pentair plc. or its affiliates. Third party registered and unregistered trademarks and logos are the property of their respective owners. Because we are continuously improving our products and services, Pentair reserves the right to change specifications without prior notice. Pentair is an equal opportunity employer.

A-03-370 (02-10-20) ©2020 Pentair. All Rights Reserved.